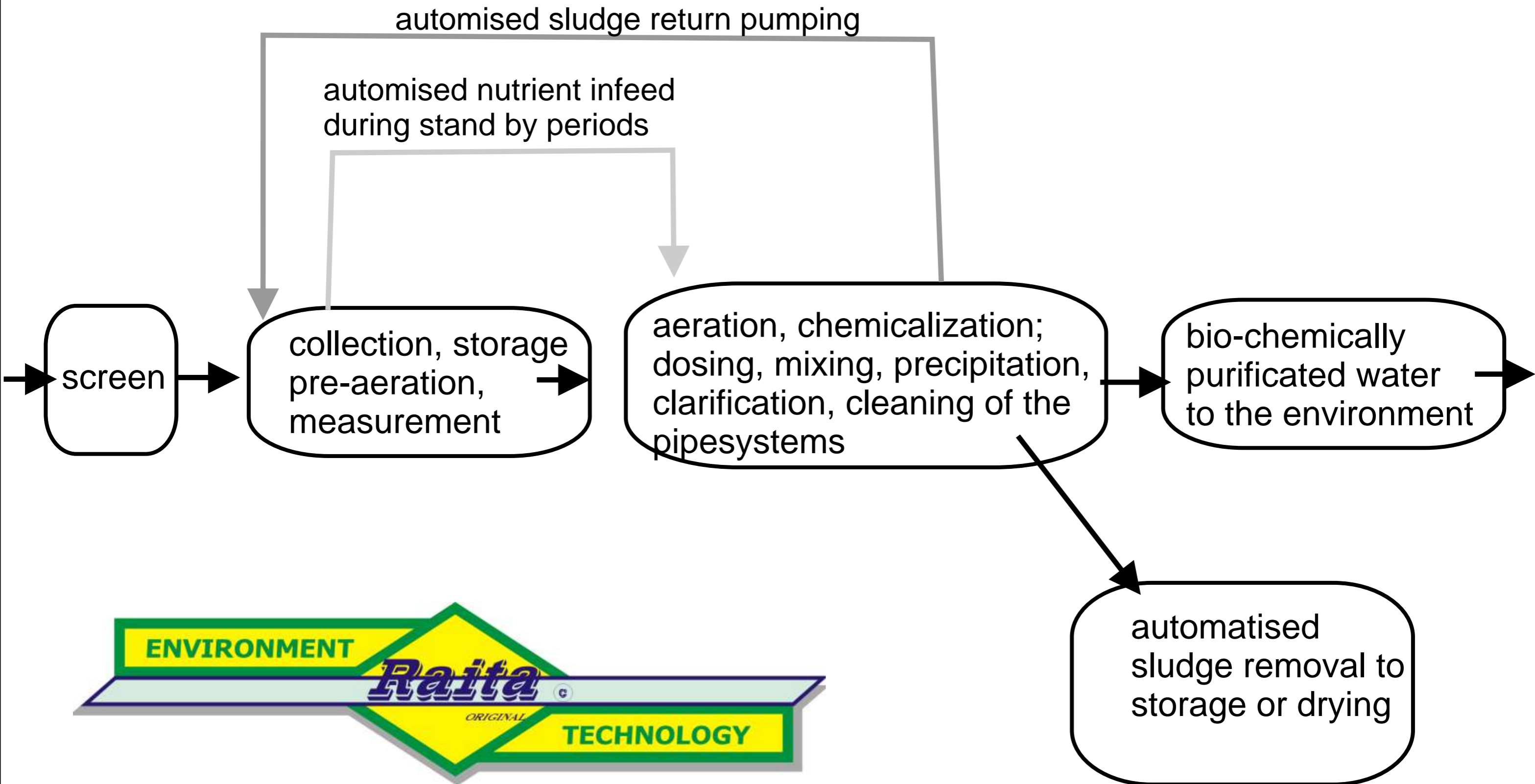
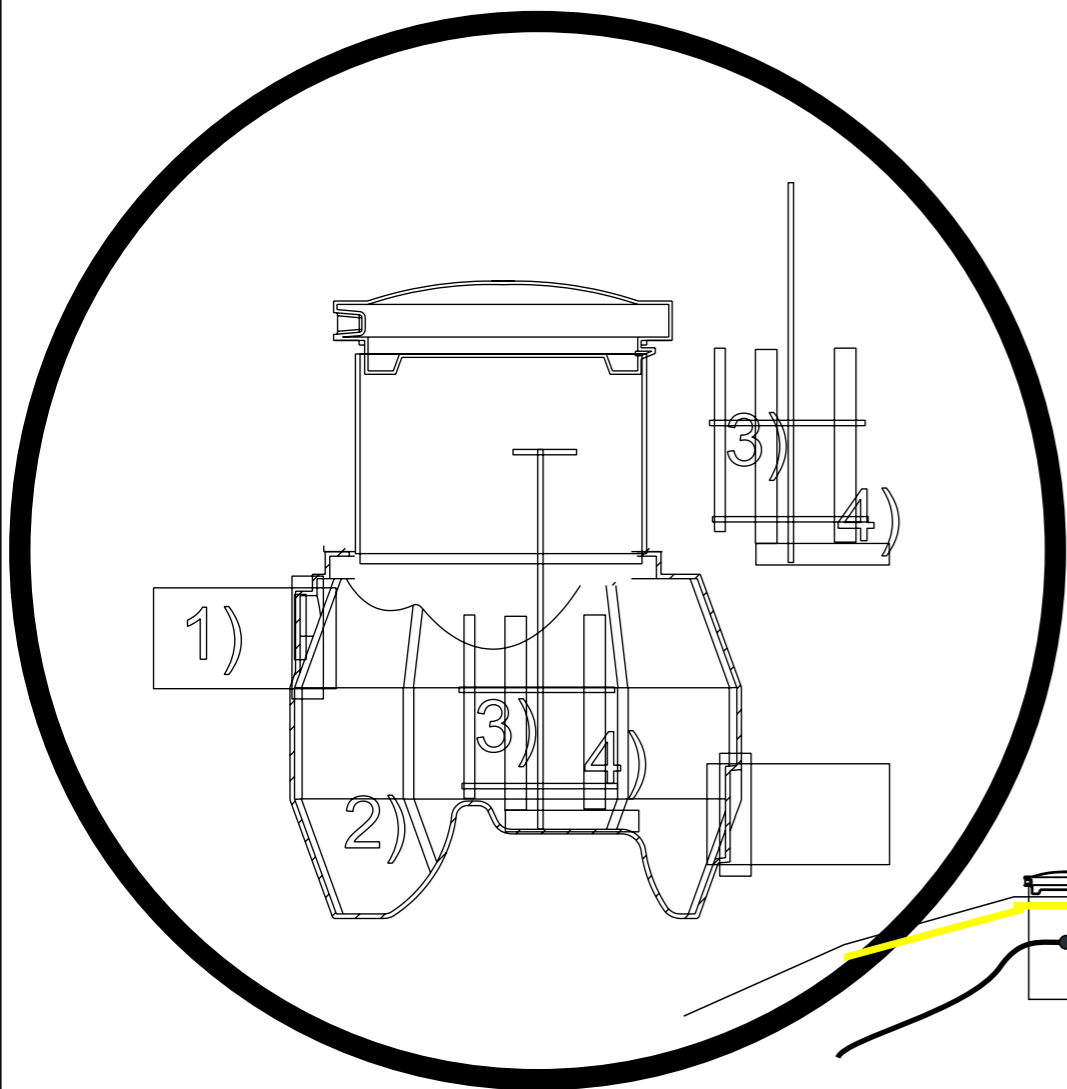
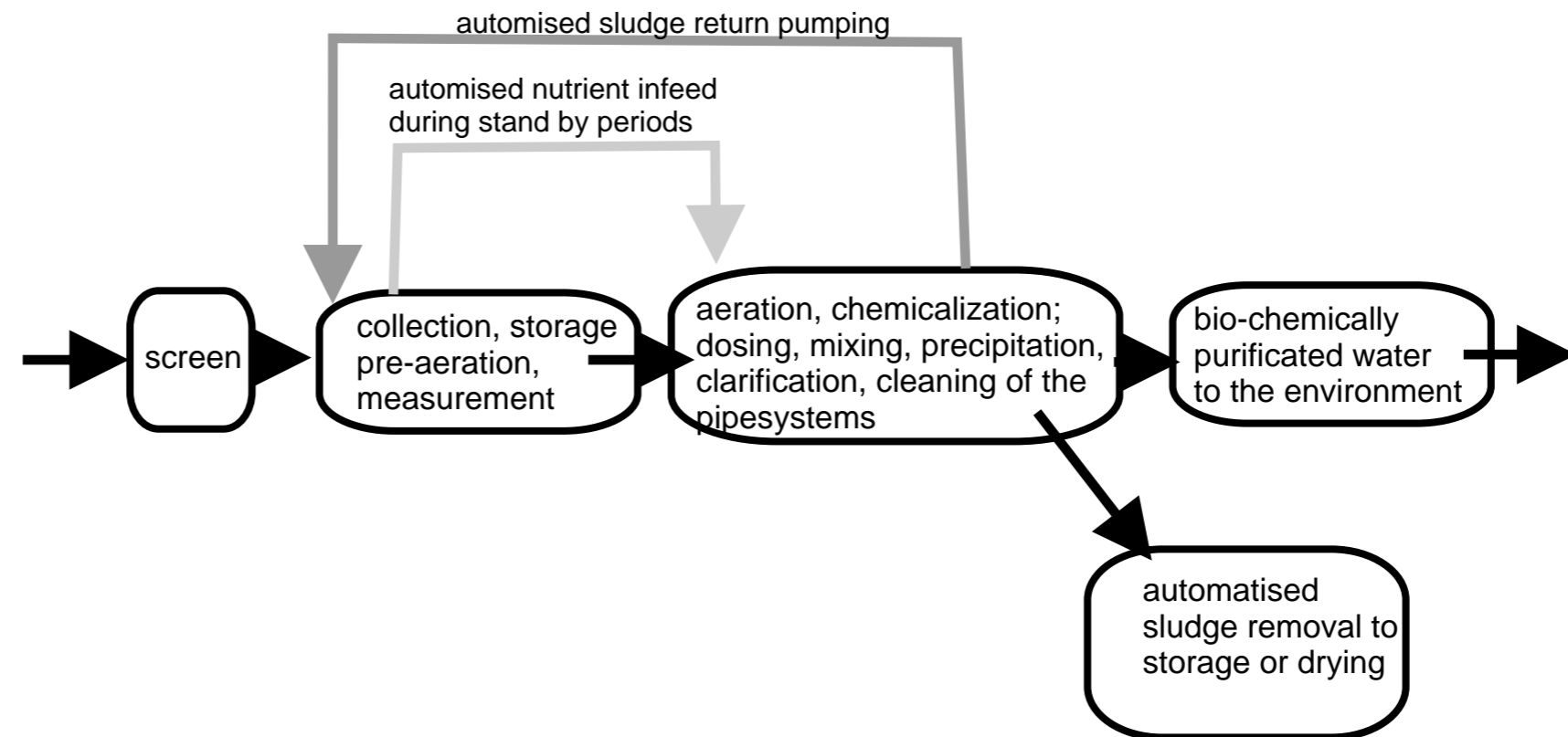


- RAITA PA 1-lined biochemical - processchart -

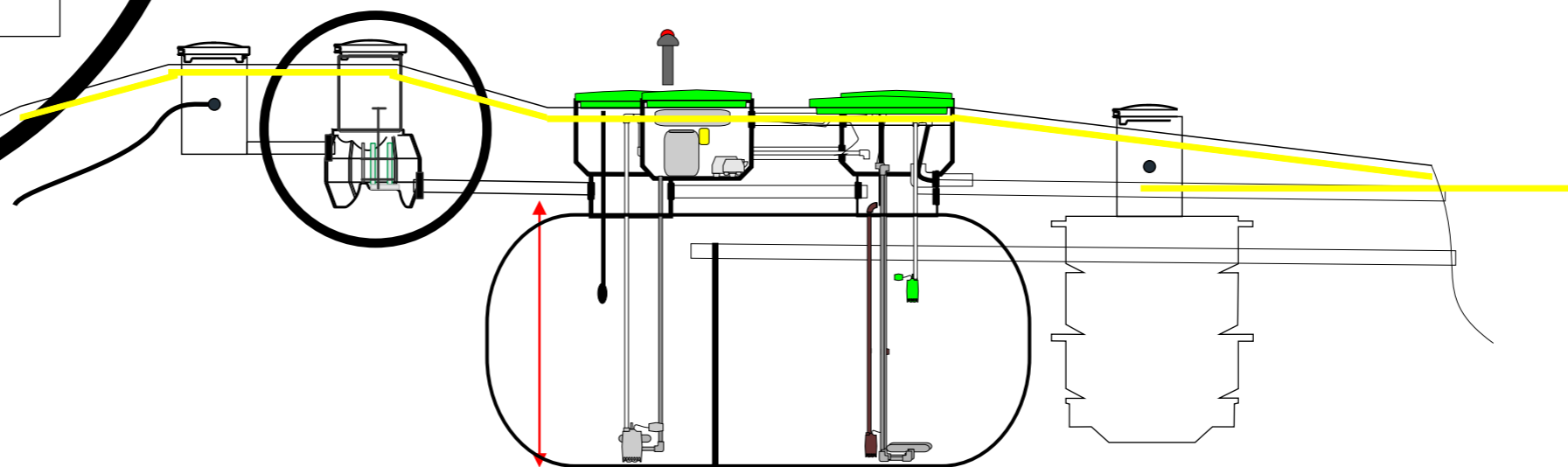


copyright Oy Raita Environment pat.pend

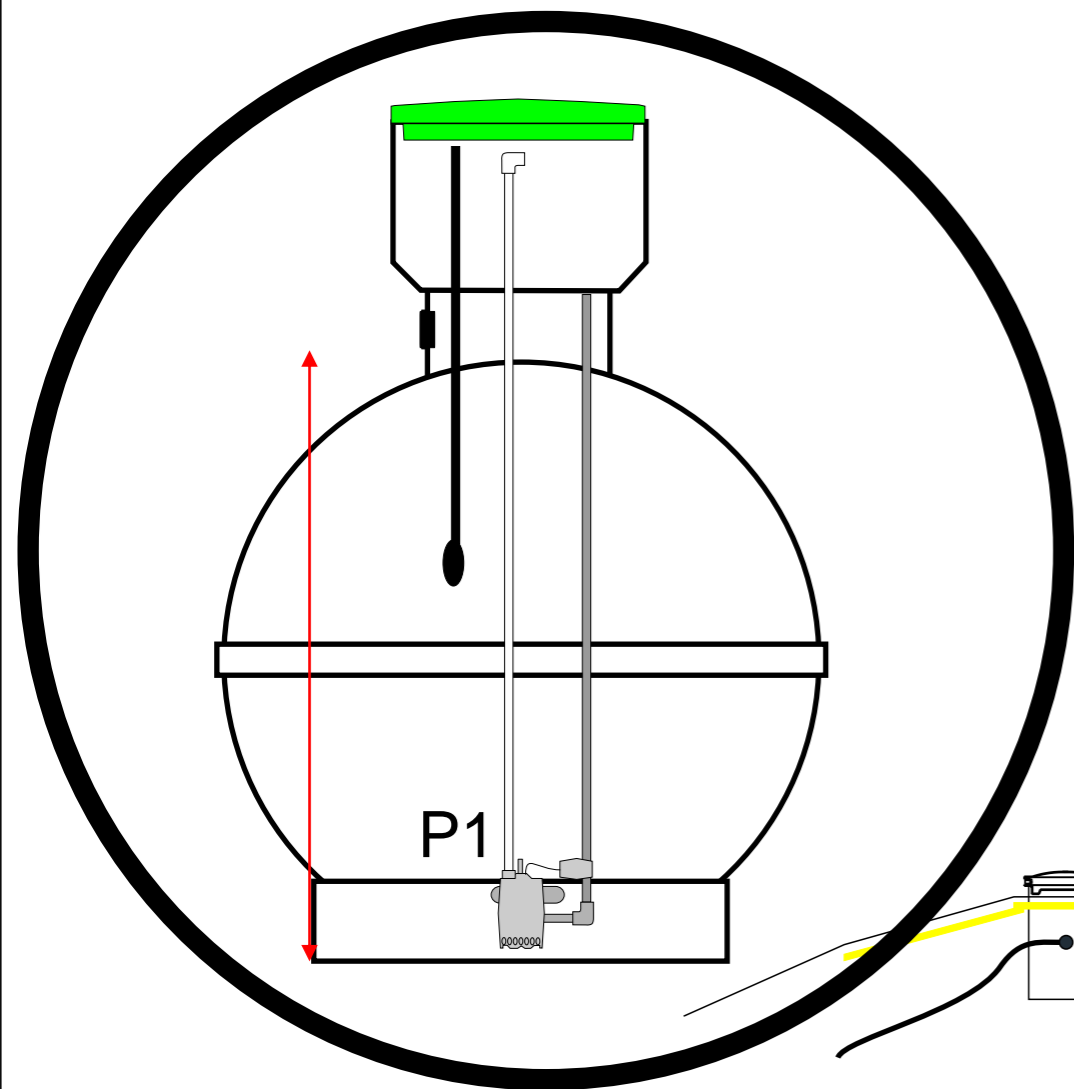
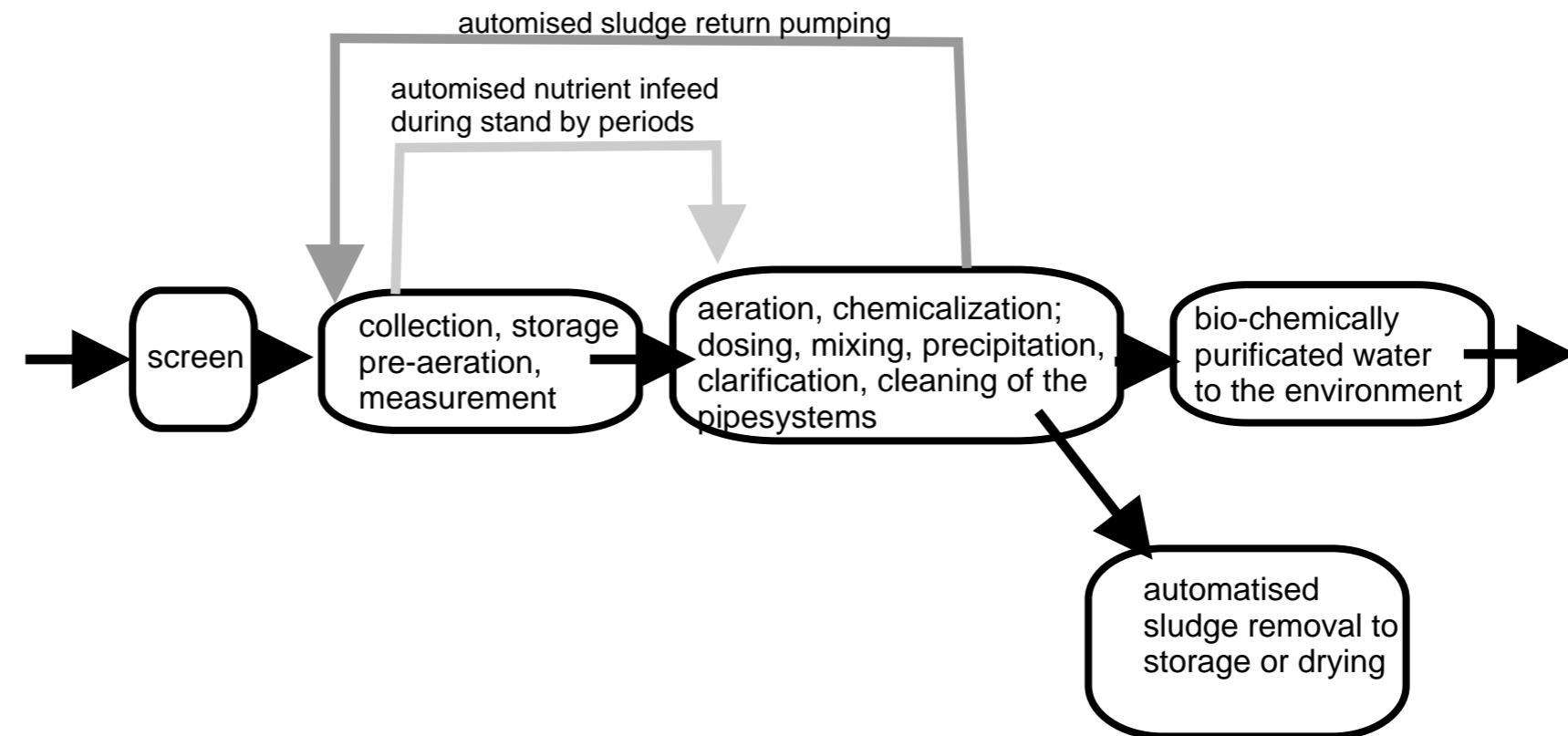
- RAITA PA 1-lined biochemical - processchart -



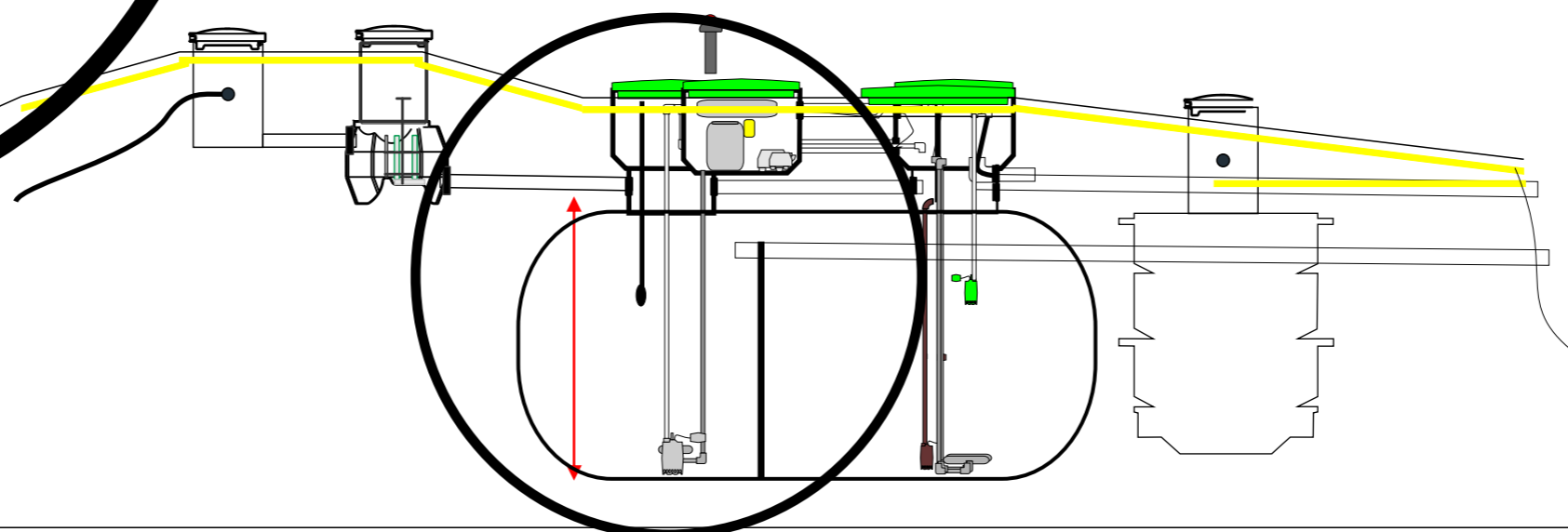
Screening removes inorganic large waste particles from the incoming sewage



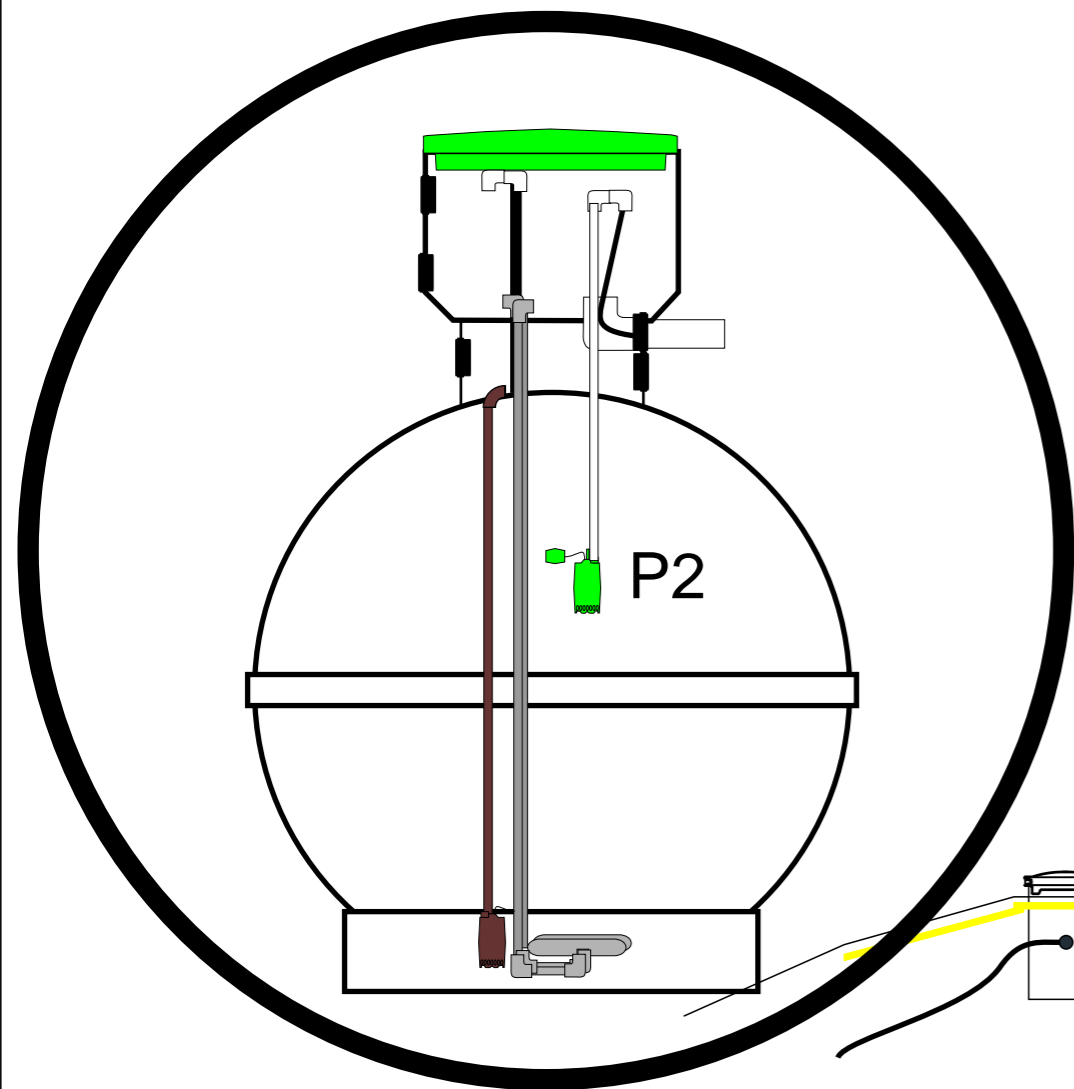
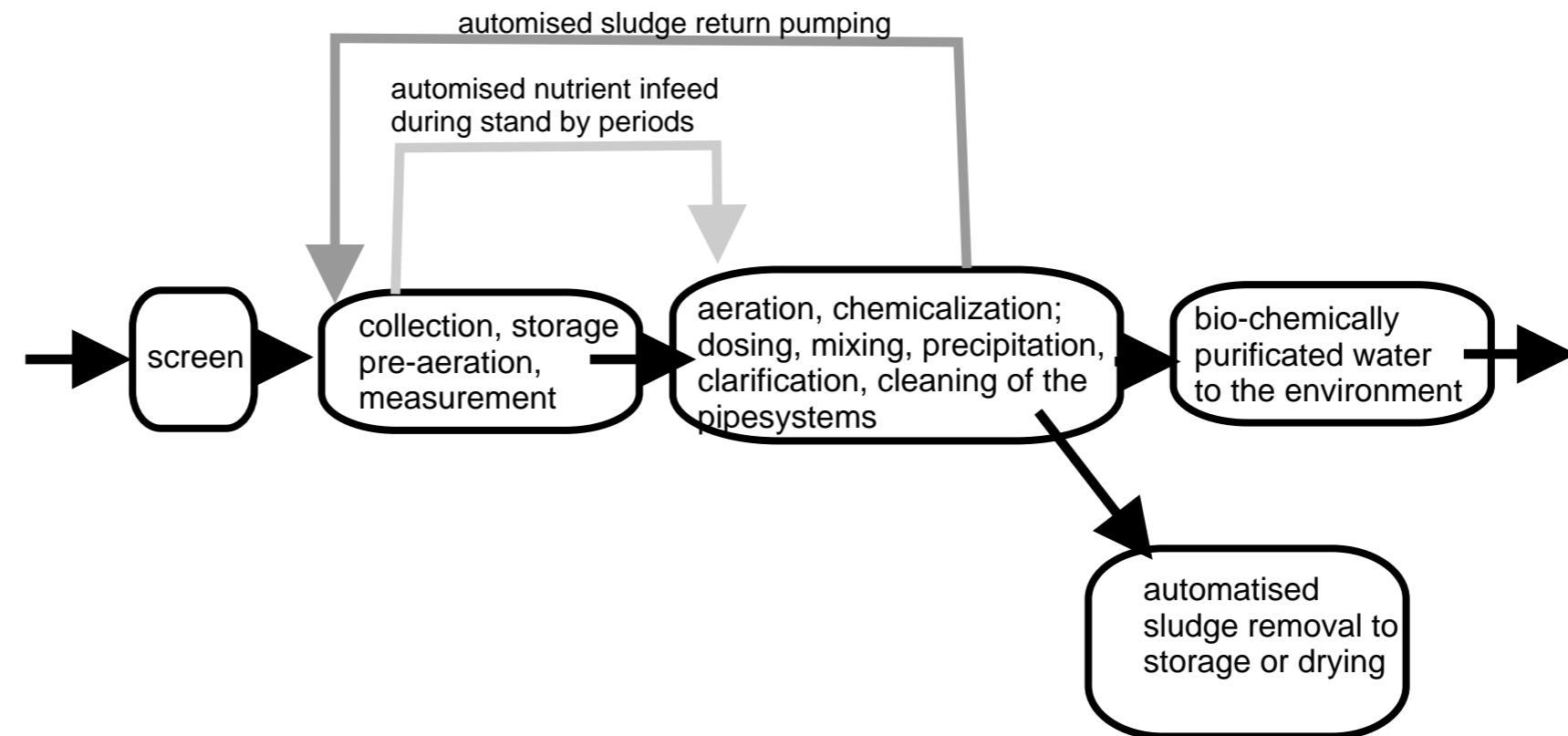
- RAITA PA 1-lined biochemical - processchart -



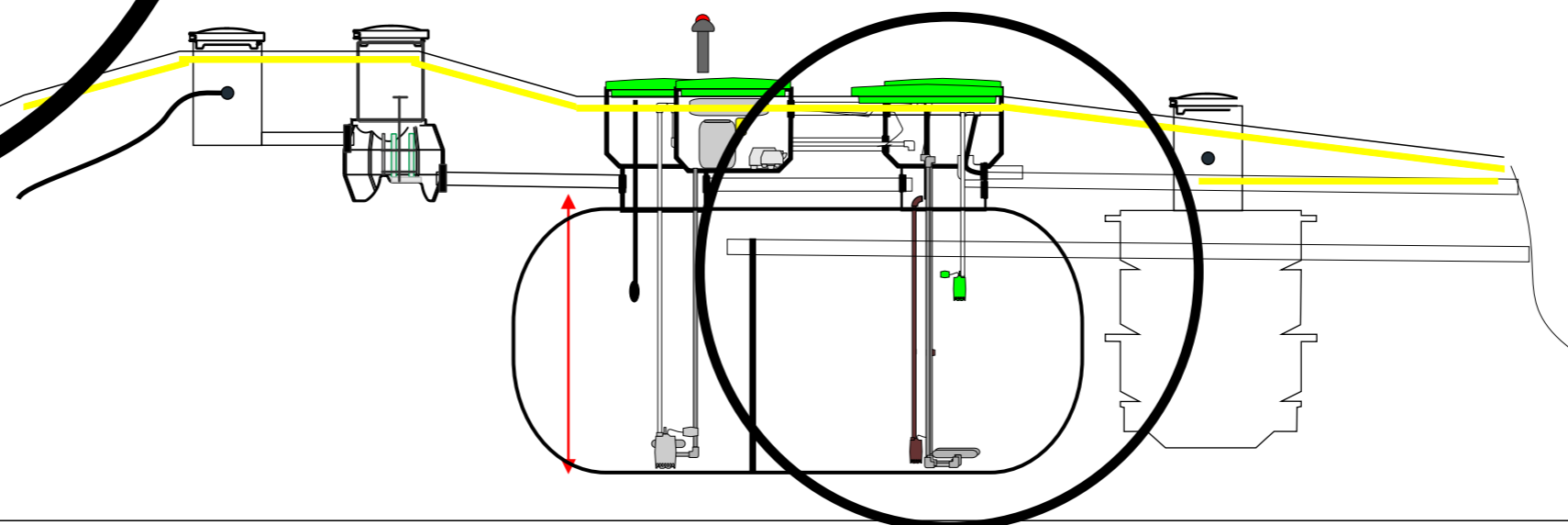
Pre-treatment; collection, storage, pre-aeration, measurement and pumping of the sewage with P1 pump to biological process



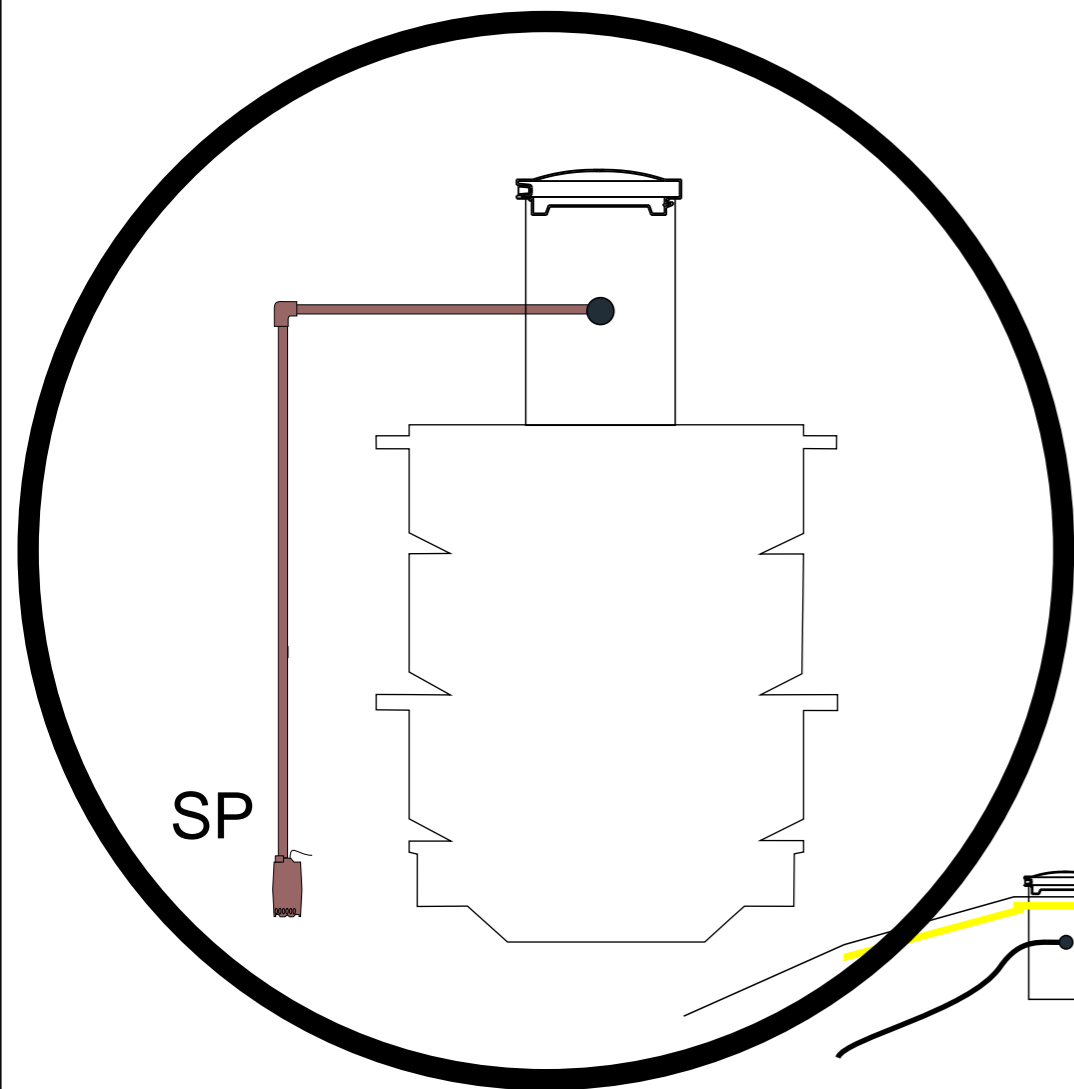
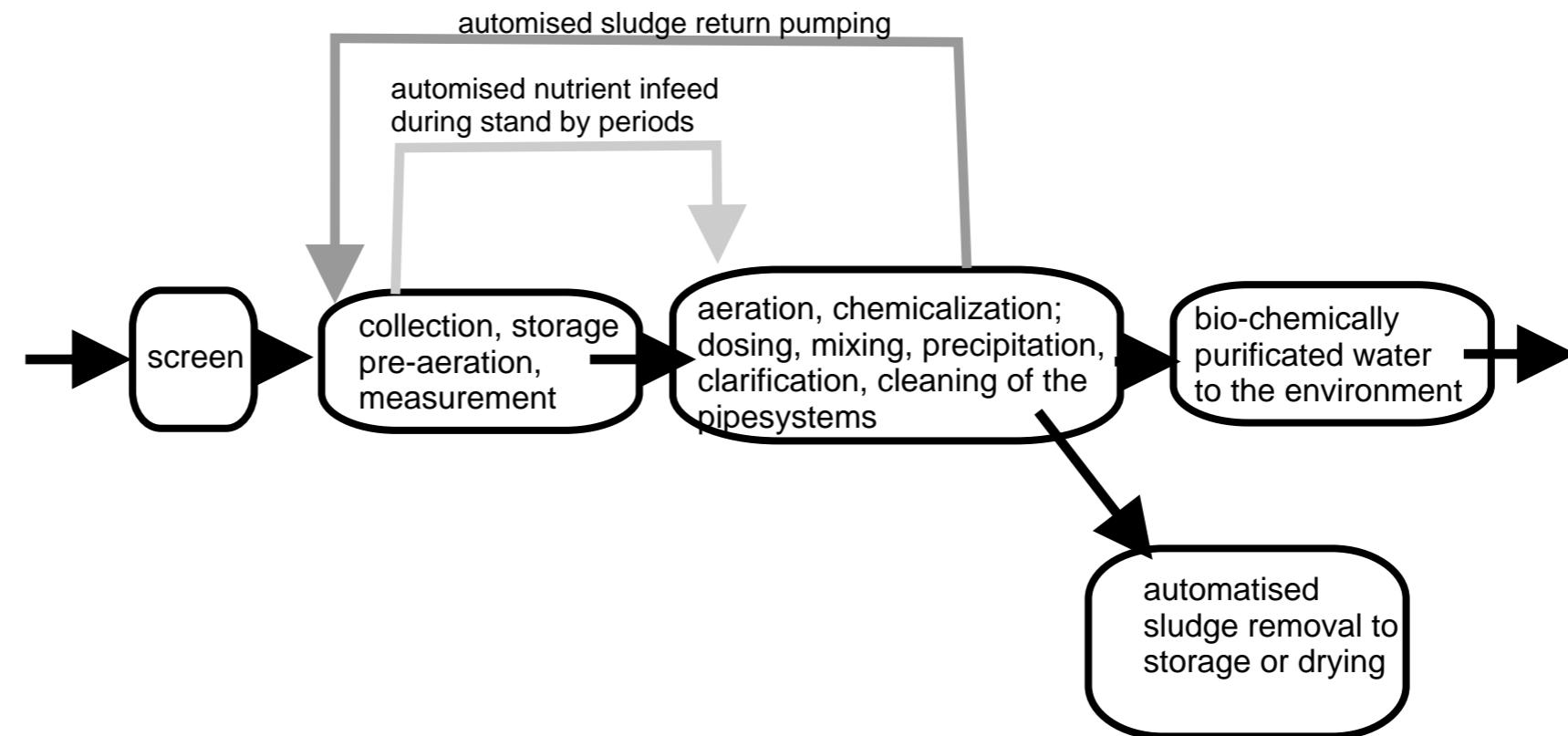
- RAITA PA 1-lined biochemical - processchart -



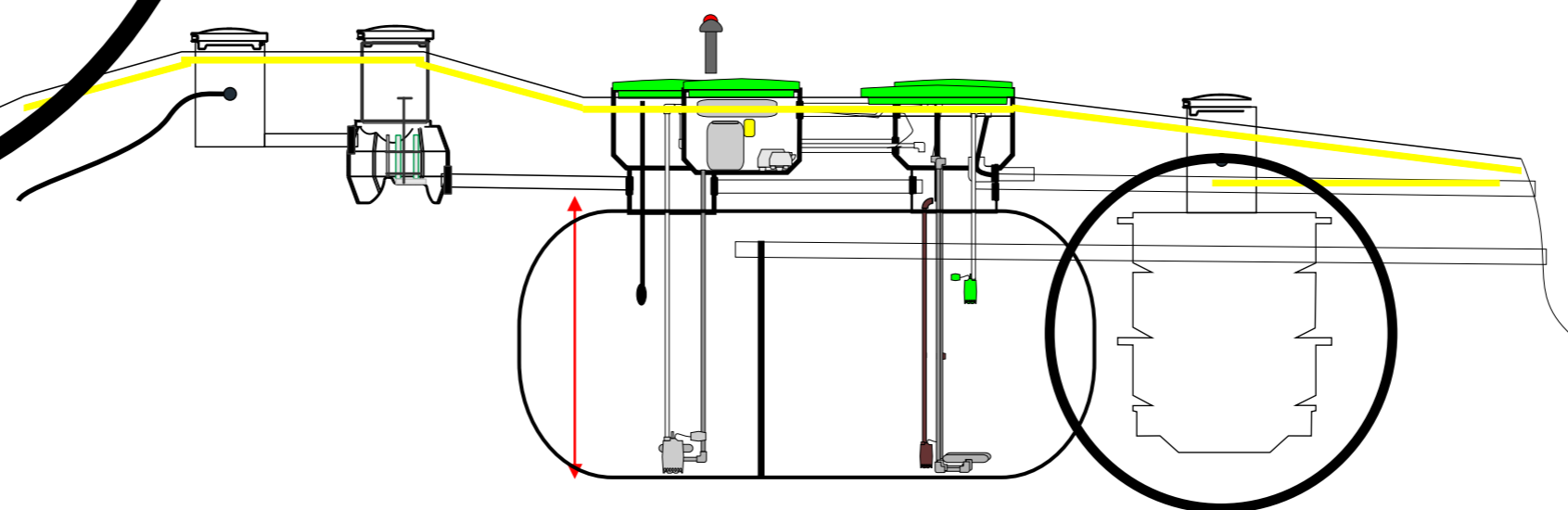
Bio-chemical process; aeration, chemicalization; dosing, mixing, precipitation, clarification, cleaning of the pipesystem and pumping the cleaned water with P2 pump.



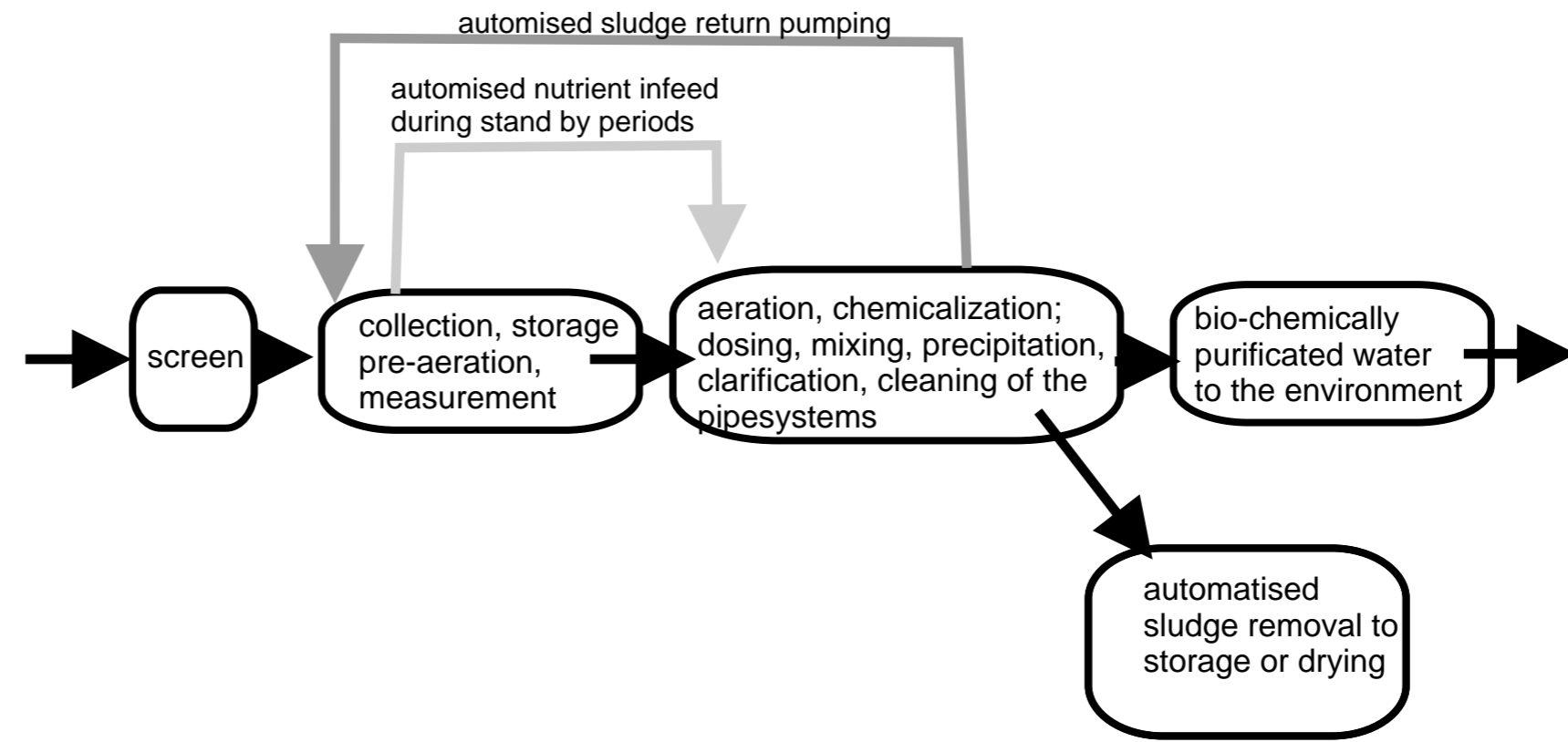
- RAITA PA 1-lined biochemical - processchart -



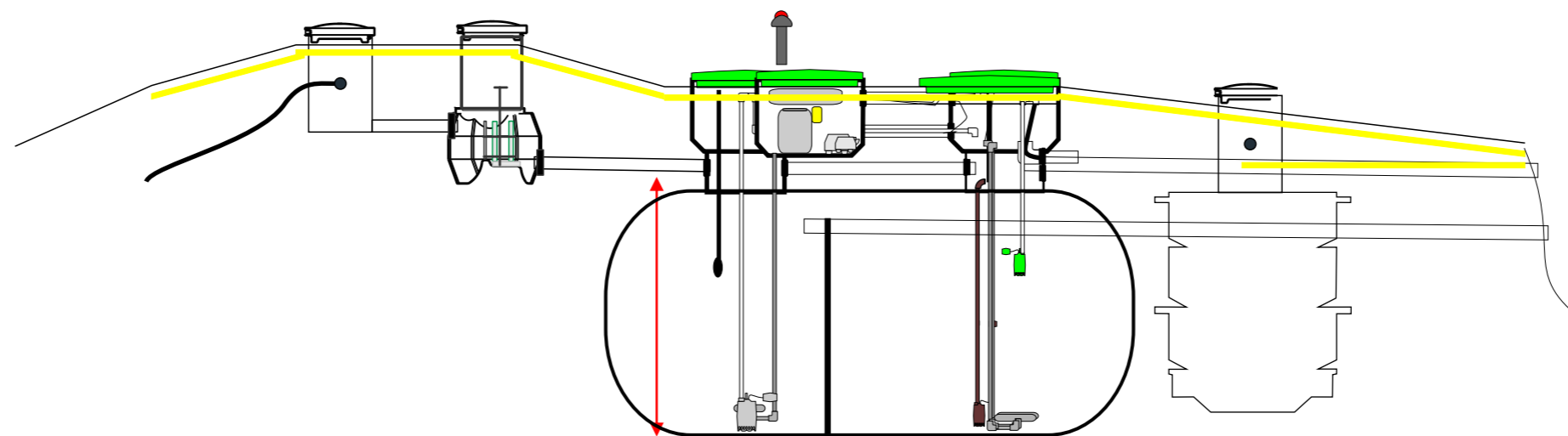
Automised sludge removal in the end of the process to drying or storage



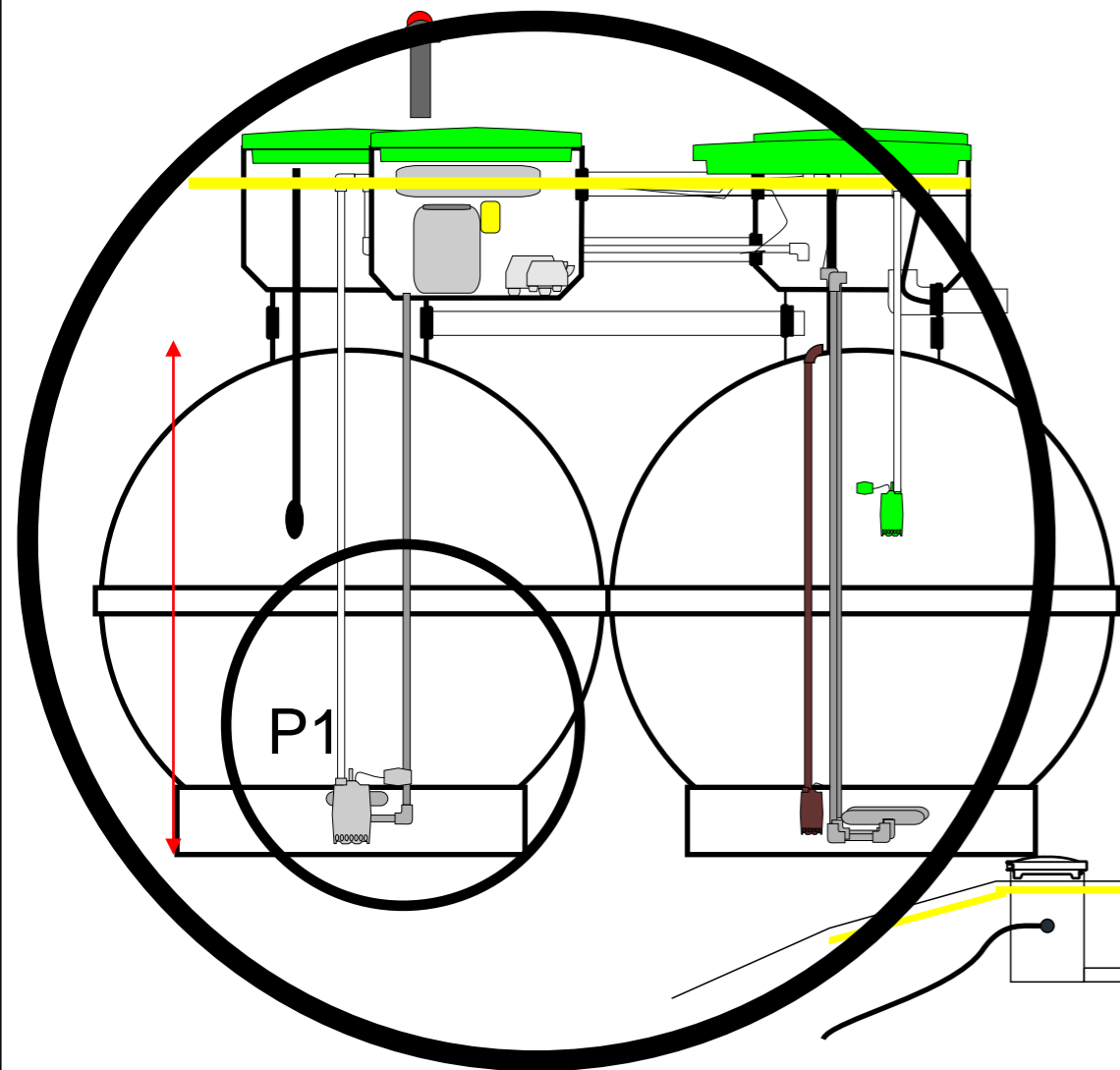
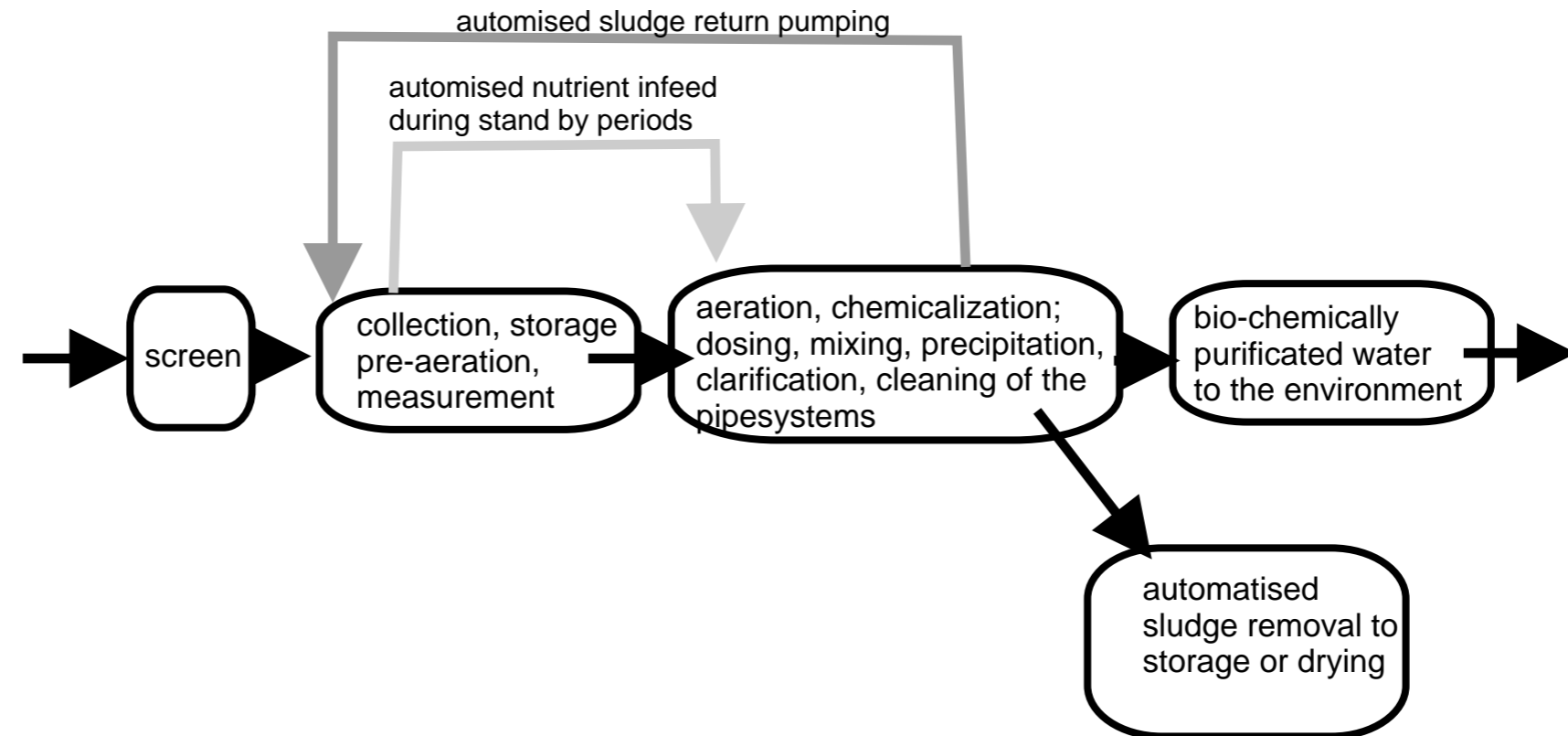
- RAITA PA 1-lined biochemical - processchart -



Bio-chemically purified water can easily be led to the environment



- RAITA PA 1-lined biochemical - processchart -



Automised nutrient infeed during stanby periods.

