

**Smart
toilet systems
by Raita**

Toilet solutions when the ordinary drytoilet or outhouse isn't enough!

Smart toilet equals low cost sewage cleaning!

By using an ecotoilet for treating faeces and urine, sewage treatment of remaining "grey waters" are handled with simple and inexpensive methods.

Cinderella incinerates



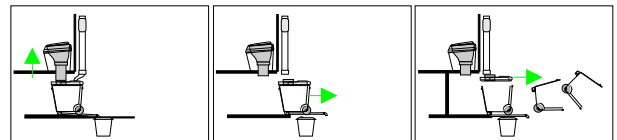
Cinderella incinerates toilet waste with its safe and effective function.

As a result a coffee cup of ash per user per month

EV-Ecodry composts and separates



EV-Ecodry compost toilet is stylish and ecological. Seat is made of porcelain. It separates urine and flushes only 1dl in average.



Easy to empty - One container is maturing while the other is in use.

MANY MODELS - Capacity sizes 60- 120- 200 - 400

Ecoflush saves water



However, if you want a water toilet or if you already use a water toilet - choose Ecoflush.

It separates urine and uses water in average less than one liter per visit.

Less water - good savings - better economy!

Raita has long experience in sparsely-populated-area-water management and in smart toilet solutions.

Check out also our other solutions at

www.raita.com



Smart toilet systems by Raita

Cinderella incinerates

Cinderella incinerates liquids and solid wastes to ashes. Final product is great fertilizer.

Incinerating toilets were tested in Sweden by Test Fakta in 2014. Cinderella was best in test. The result of combustion was in the class of its own, also its security was the best and it had the largest capacity.

Cinderella is developed in the Nordic countries for nordic circumstances.

Cinderella has tens of thousands of satisfied customers, and a comprehensive service network.

Height 600mm
 Seat height 540mm
 width 390mm
 depth 590mm
 weight 34kg
 Fan 12V DC
 Capacity for 12 people
 Fuel Power 2KW
 Electricity consumption 0,8-1,5KW / visit
 Voltage 220-240V / 10A
 Supply air pipe 110mm
 Exhaust air pipe 110mm
 Supplied with mounting accessories
 Three-year warranty

Also a model available which operates with gas !!



Cinderella has closed air circulation - is doesn't cool toilet room and it doesn't interfere rooms air circulation. The device can be installed also in the bathroom.



Toilet solutions when the ordinary dry toilet or out house isn't enough!

Smart toilet systems by Raita

EV-Ecodry composts and separates

EV Eco- toilet function is based on composting and urine separation.

The operation doesn't require water nor electricity. The solids are composted and liquids are treated by evaporation and filtration.

Composting process can be improved by using composting substance (peat, sawdust etc.)

EV is a modular system with three seat options and four composting container options. Free ventilation or with electric (12/230 V) or ecologically with a wind fan.

Ecody seat
 Height 500mm
 Seat height 450mm
 width 390mm
 depth 590mm
 weight 20kg

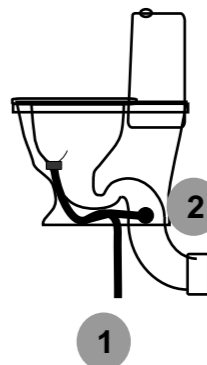
Ev200 composting van
 Capacity 200 uses
 Height 760 mm
 Width 860 mm
 Depth 640 mm
 Weight 20 kg
 Exhaust air pipe 110mm
 Liquid pipe 32 mm

Other sizes are 120 van and 400



Ecoflush saves water and money!

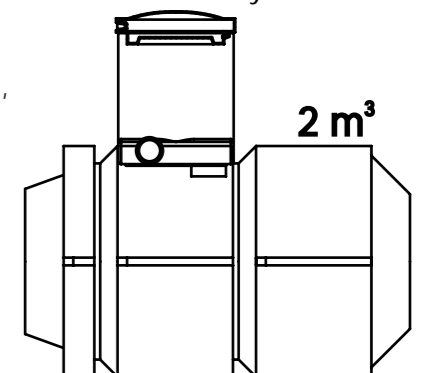
Ecoflush
 Height 820mm
 Seat height 450mm
 Width 350mm
 Length 620mm
 Weight 20kg



Separated urine (1) is collected in a tank or to be utilized f.ex as a fertilizer. Separated urine may also be connected to the sewage system (2) and led for further treatment or it can be collected into a sewage container or in a AQ - toiletsystem.

Ecoflush consumes in average less than one liter water per one use. This means in average 80 % savings in sewage and equal savings in money!

Sewer containers sizes by RAITA
 450 l
 1300 l
 2000 l,
 5000 l

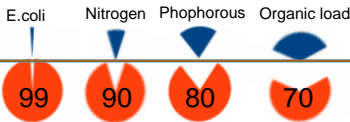


Urine is separated into the front bowl. Flushing the front bowl uses 1 dl and back bowl 2 l of water. Water is consumed approximately 80 % compared to ordinary water toilet.

Toilet solutions when the ordinary dry toilet or out house isn't enough!

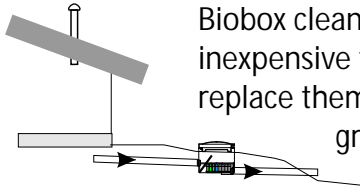
Clewer toilet has a major role in sewage treatment

Grey Water



Clewer ekotoilet

Households sewage content



The biggest amount of nutrients, bacteria and contaminants are in faeces and urine.

By using a ecotoilet for treating faeces and urine, the sewage treatment of the remaining "grey waters" are handled with simple and economic systems.

Biobox cleans "grey water" effectively. It is also easy and inexpensive to maintain. Filters can be cleaned - no need to replace them regularly. We also have larger options for grey water purification for single family houses.

FOR A HOLIDAYHOME

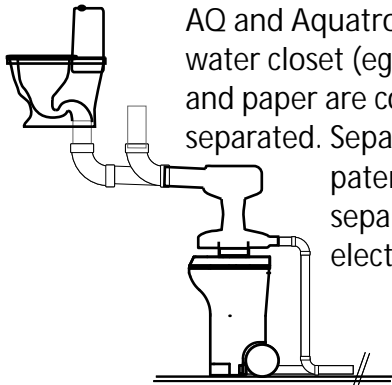


4-staged purification-process

FOR A SAUNA OR A CHALET

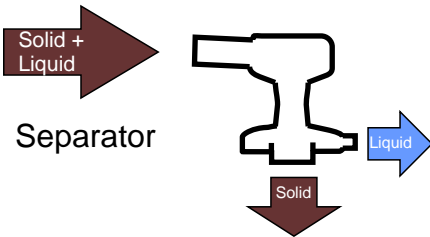


Wide range of smart toilets from RAITA



AQ and Aquatron are connected to water closet (eg. Ecoflush). The faeces and paper are composted and liquid is separated. Separation function with patented AQUATRON separator without electricity.

Composting container sizes; 60-120- 200- 400

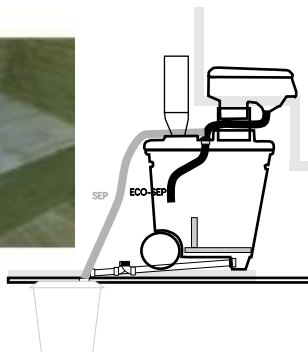


Privetti freezes the toilet waste. Container is emptied to a composter.

The Installation is easy and functioning of Privetti is very simple.



Weight: 30 kg
Power: 60 W
Capacity: 2-4 people, waste container 25 l
Warranty: 1 year
Electricity: 230V, grounded
The toilet is supplied with 10pcs BioBags.



EV is a modular system of composting and urine separating ekotoilets. EV system is used f.ex in holidayhomes, in detached houses and in public use.



Raita Environment
Kuusikkotie 25, 01380 Vantaa

+358 400 912 111
info@raita.com



raita.com | domestic-shop.com

Toilet solutions when the ordinary dry toilet or out house isn't enough!