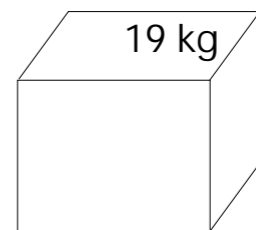
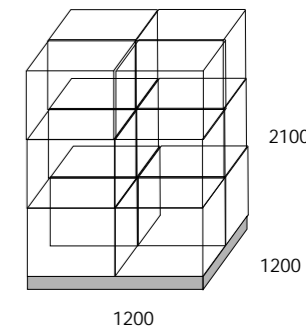


BioBox M



600x600x850



1 pc size 600x600x630 mm
12 pcs size 1200x1200x2100 (with pallet)

q-max 400/ 24 h - 50 l/ h

Malli, varustetaso, lisävarusteet:

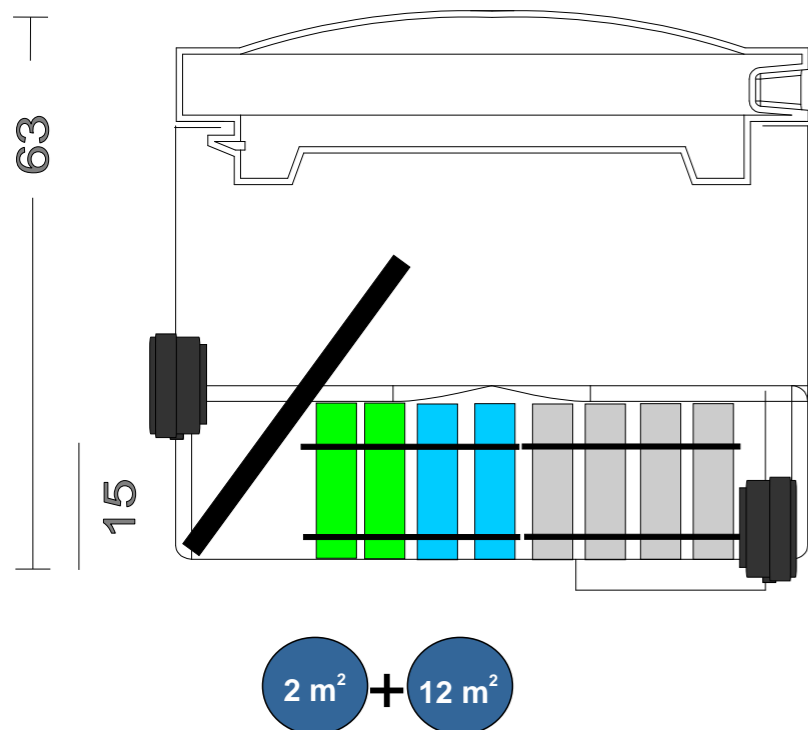
Malli	Kapasiteetti l/ 24 h	SK 420	SK600	SK1200 SAV	BM	Pakor
Bio-Box M	400	+	+	+	+	+

Modell, utrustningsnivå, tilläggsutrustning::

Modell	Kapasitet l/ 24 h	SK 420	SK600	SK1200 SAV	BM	Pakor
Bio-Box M	400	+	+	+	+	+

Model, equipment level, auxiliary equipment:

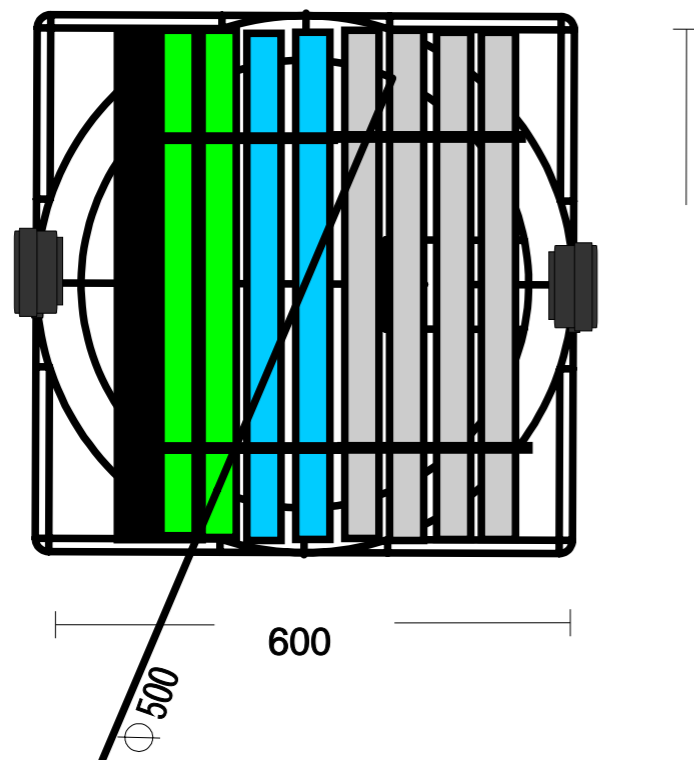
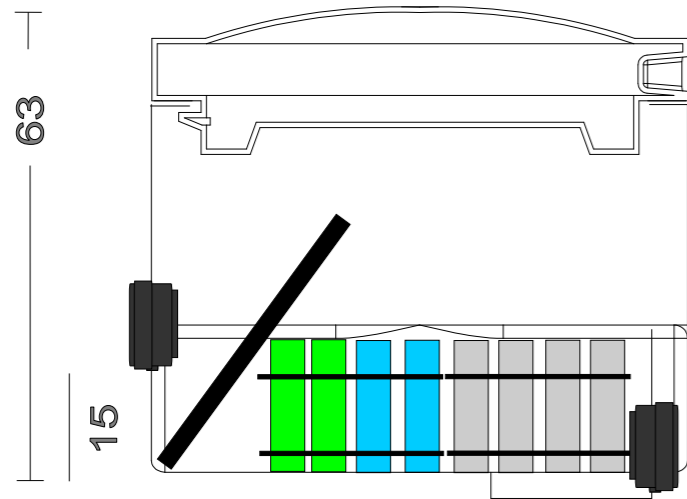
Model	Capacity l/ 24 h	SK 420	SK600	SK1200 SAV	BM	Pakor
Bio-Box M	400	+	+	+	+	+



		Scale:
raitabiobox.fi		BioBox M
		2018

BioBox M

q-max 400l/ 24 h - 50 l/ h



Malli, varustetaso, lisävarusteet:

Malli	Kapasiteetti l/ 24 h
Bio-Box L	400

Modell, utrustningsnivå, tilläggsutrustning::

Modell	Kapasitet l/ 24 h
Bio-Box L	400

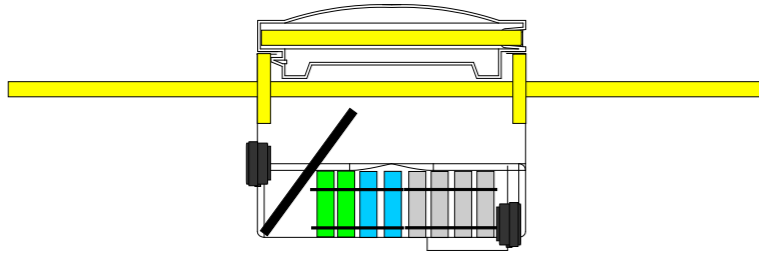
Model, equipment level, auxiliary equipment:

Model	Capacity l/ 24 h
Bio-Box L	400

		Scale:
	BioBox M	2018
raitabiobox.fi		

BioBox M

sbio_m_er2



Malli, varustetaso, lisävarusteet:

Malli Kapasiteetti l/ 24 h
Bio-Box L 400

Modell, utrustningsnivå, tilläggsutrustning::

Modell Kapasitet l/ 24 h
Bio-Box L 400

Model, equipment level, auxiliary equipment:

Model Capacity l/ 24 h
Bio-Box L 400

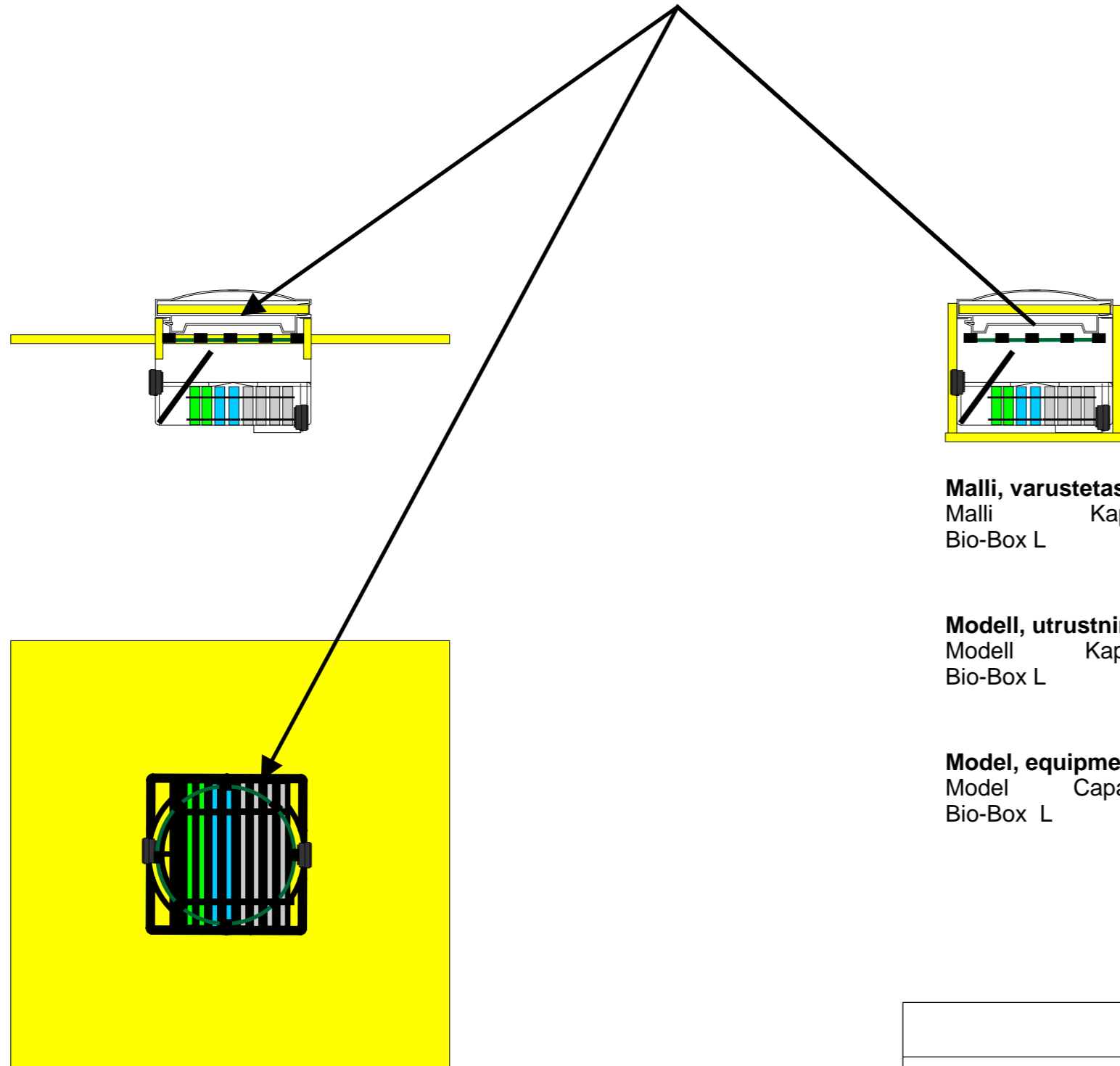
		Scale:
	BioBox M	2018
raitabiobox.fi		

BioBox M

sbio_w

Lämmityskaapeli paketti | Heating cable package | Värmekabelpaket:

2m + 2m -40 °C.....+65 °C 230 V AC 50 Hz 16A – 10 W/m | clips10 pcs | cable seal 1 pcs



Malli, varustetaso, lisävarusteet:

Malli Kapasiteetti l/ 24 h
Bio-Box L 400

Modell, utrustningsnivå, tilläggsutrustning::

Modell Kapasitet l/ 24 h
Bio-Box L 400

Model, equipment level, auxiliary equipment:

Model Capacity l/ 24 h
Bio-Box L 400

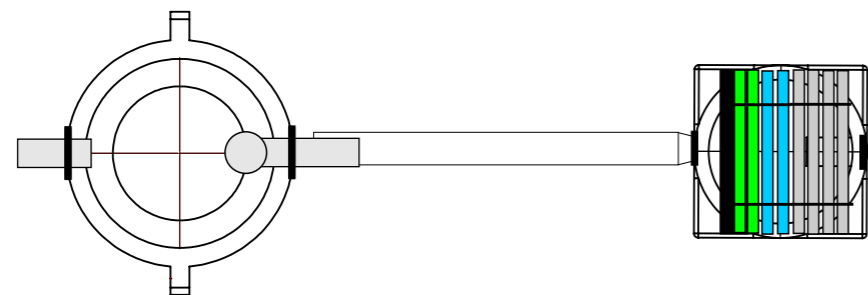
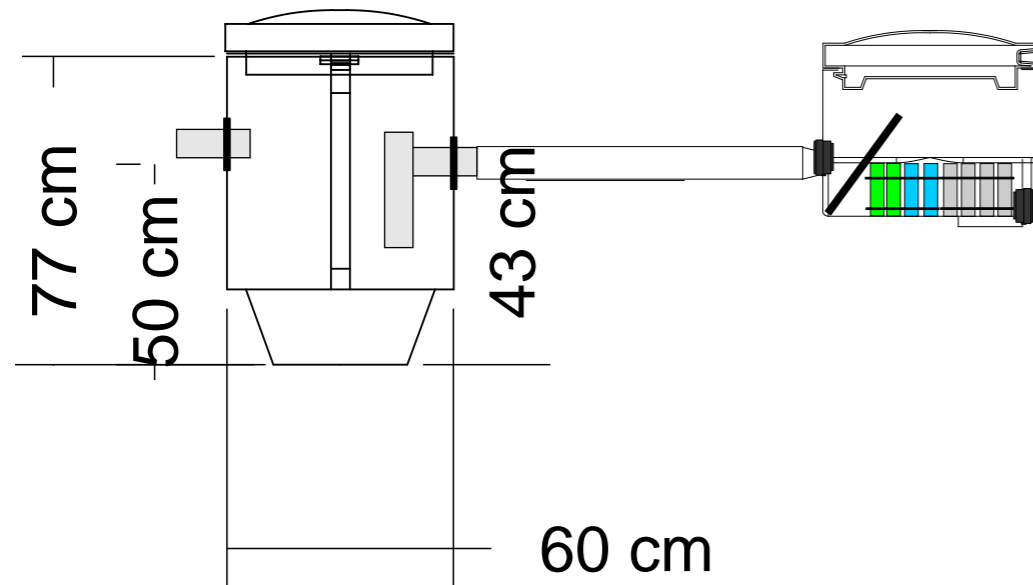


2m + 2m -40 °C.....+65 °C 230 V AC 50 Hz 16A – 10 W/m | clips10 pcs | cable seal 1 pcs

		Scale:
	BioBox M	2018
raitabiobox.fi		

Sk100 + BioBoxM

q-max 400 l / 24 h - 80 l / h



Malli, varustetaso, lisävarusteet:

Malli	Kapasiteetti l / 24 h	SK 100	Pakor
Bio-Box M	400	+	+

Modell, utrustningsnivå, tilläggsutrustning::

Modell	Kapasitet l / 24 h	SK 100	Pakor
Bio-Box M	400	+	+

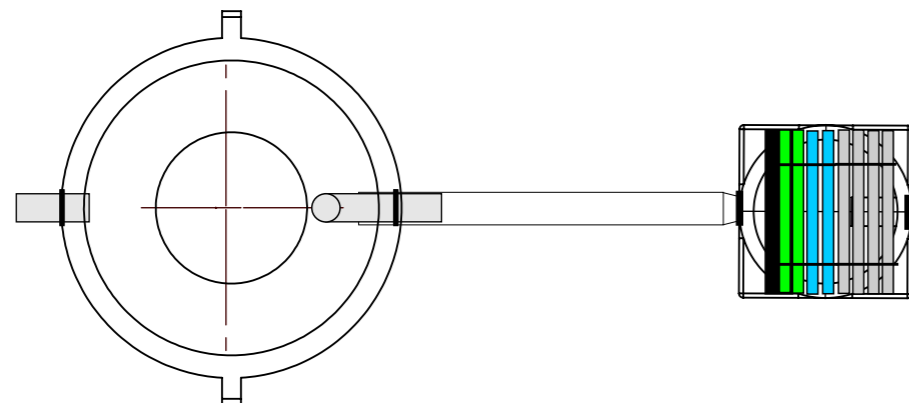
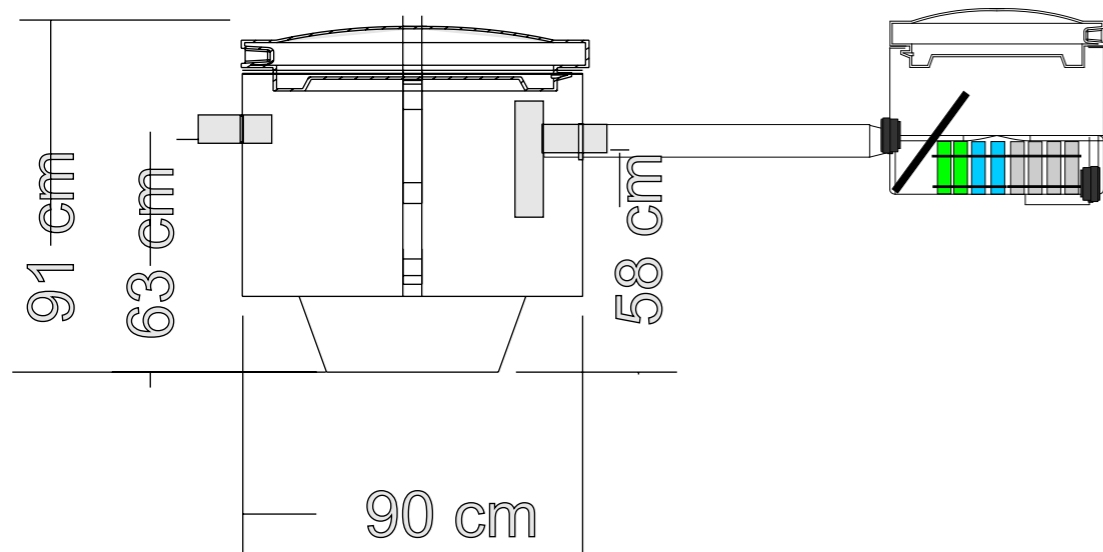
Model, equipment level, auxiliary equipment:

Model	Capacity l / 24 h	SK 100	Pakor
Bio-Box M	400	+	+

		Scale:
	BioBox M	2018
raitabiobox.fi		

Sk250 + BioBoxM

q-max 400 l/ 24 h - 100 l/ h



Malli, varustetaso, lisävarusteet:

Malli	Kapasiteetti l/ 24 h	SK 100	Pakor
Bio-Box M	400	+	+

Modell, utrustningsnivå, tilläggsutrustning::

Modell	Kapasitet l/ 24 h	SK 100	Pakor
Bio-Box M	400	+	+

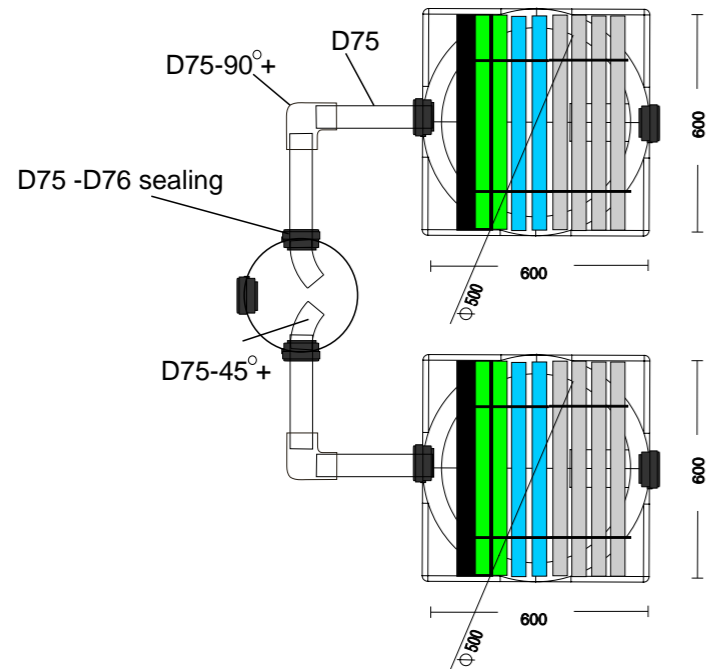
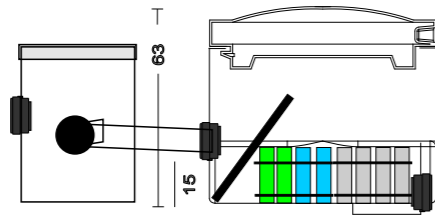
Model, equipment level, auxiliary equipment:

Model	Capacity l/ 24 h	SK 100	Pakor
Bio-Box M	400	+	+

		Scale:
	BioBox M	2018
www.raita.com		

BioBox M x 2

q-max 800l/ 24 h - 100 l/ h



Malli, varustetaso, lisävarusteet:

Malli Kapasiteetti l/ 24 h
 Bio-Box M x 2 800

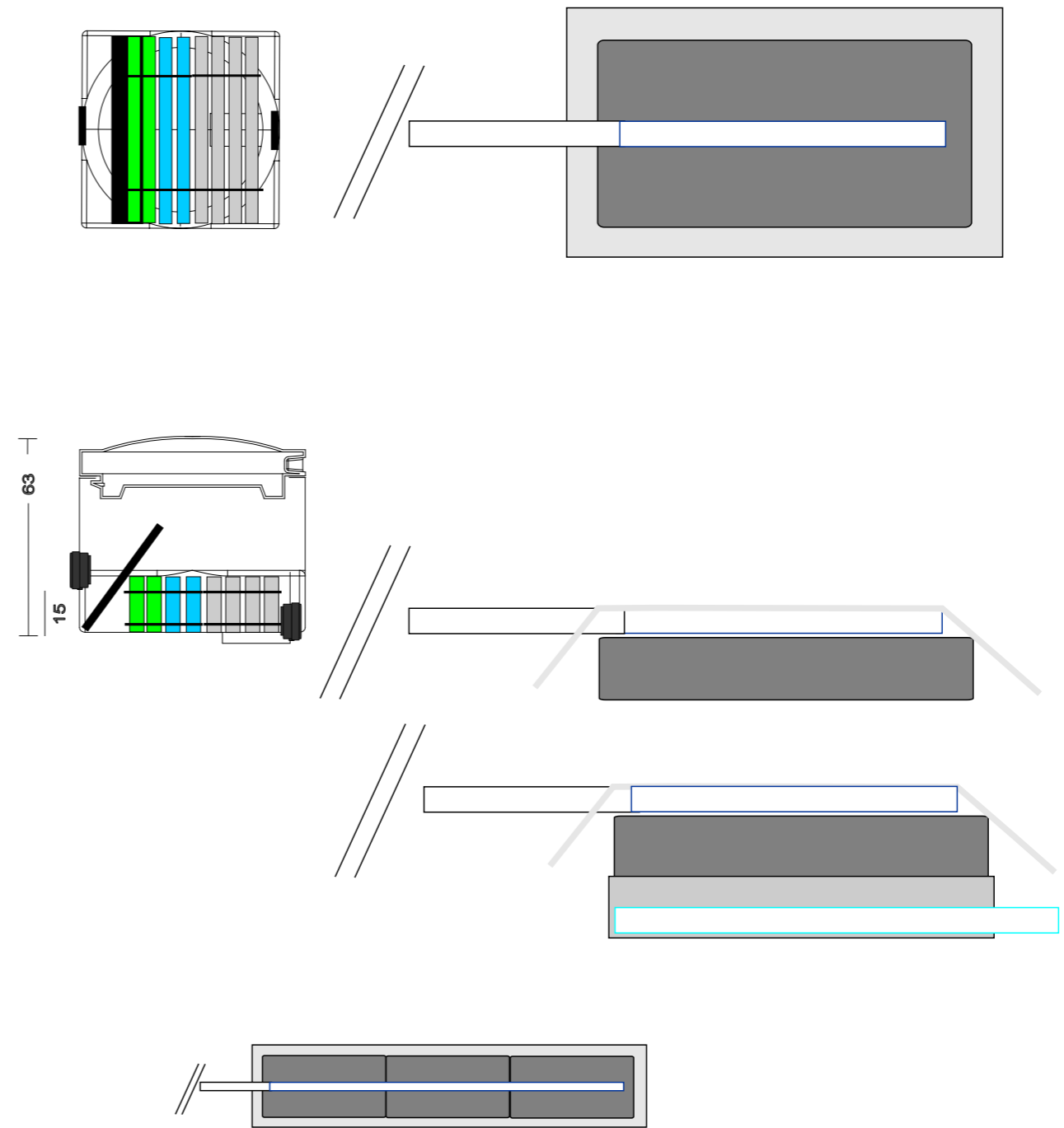
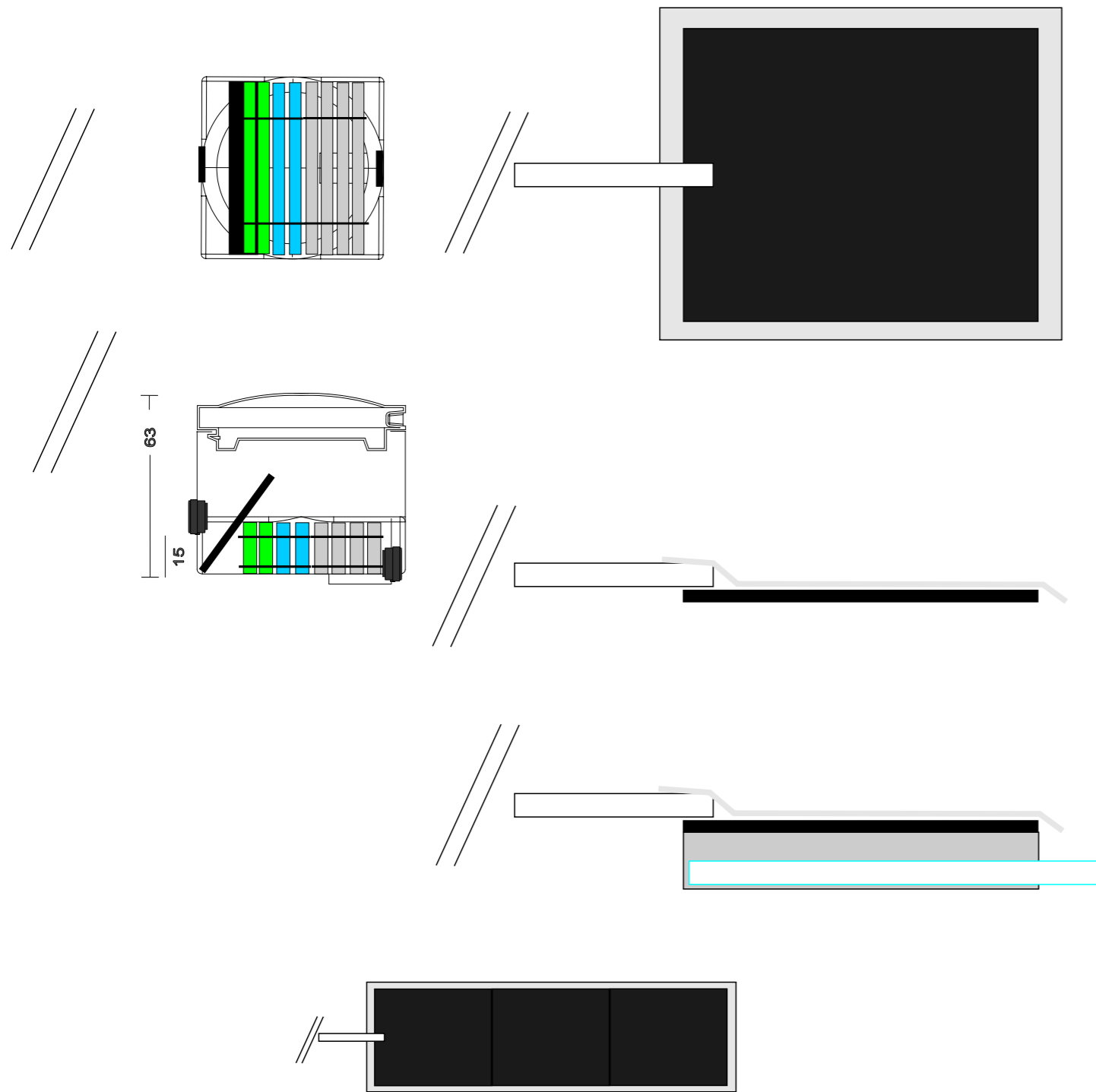
Modell, utrustningsnivå, tilläggsutrustning::

Modell Kapasitet l/ 24 h
 Bio-Box M x 2 800

Model, equipment level, auxiliary equipment:

Model Capacity l/ 24 h
 Bio-Box M x 2 800

		Scale:
	BioBox M	2018
raitabiobox.fi		



Malli, varustetaso, lisävarusteet:

Malli	Kapasiteetti l/ 24 h	SK 420	SK600	SK1200 SAV	BM	Pakor
Bio-Box L	400	+	+	+	+	+

Modell, utrustningsnivå, tilläggsutrustning::

Modell	Kapasitet l/ 24h	SK 420	SK600	SK1200 SAV	BM	Pakor
Bio-Box L	400	+	+	+	+	+

Model, equipment level, auxiliary equipment:

Model	Capacity l/ 24 h	SK 420	SK600	SK1200 SAV	BM	Pakor
Bio-Box L	400	+	+	+	+	+

		Scale:
	BioBox M	2018
raitabiobox.fi		