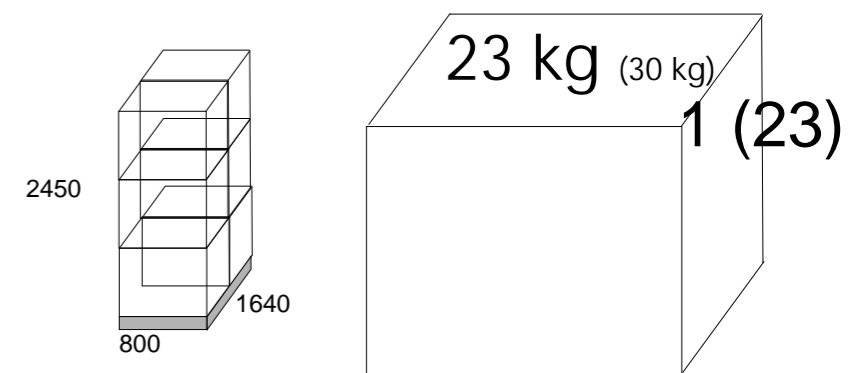




q-max 600 l / 24 h - 75 l / h

BioBox XL
 BioBox XL +pakor
 Sk420 + BioBox XI
 Sk600 + BioBox XI
 Sk1200 + 2xBioBox XI



1 pc size 820x710x750 mm

6 pcs size 800x1640x2450
(with pallet)

Malli, varustetaso, lisävarusteet:

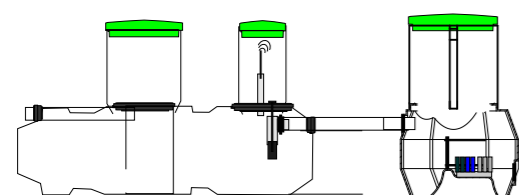
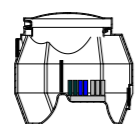
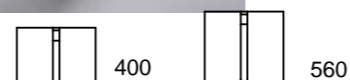
Malli	Kapasiteetti l / 24 h	SK 420	SK600	SK1200 SAV	BM	Pakor
Bio-Box XL	600	+	+	+	+	+

Modell, utrustningsnivå, tilläggsutrustning::

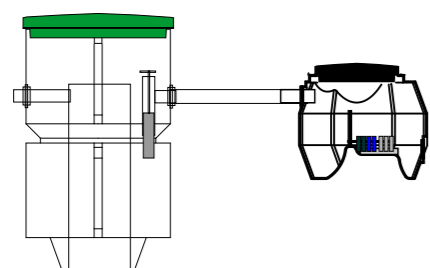
Modell	Kapasitet l / 24 h	SK 420	SK600	SK1200 SAV	BM	Pakor
Bio-Box XL	600	+	+	+	+	+

Model, equipment level, auxiliary equipment:

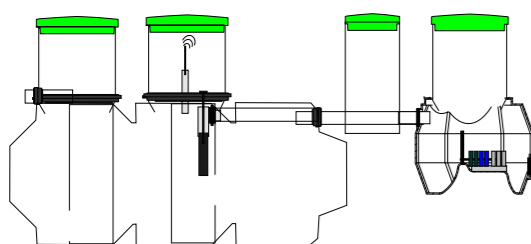
Model	Capacity l/24 h	SK 420	SK600	SK1200 SAV	BM	Pakor
Bio-Box XL	600	+	+	+	+	+




q-max 600 l / 24 h - 125 l / h



q-max 600 l / 24 h - 125 l / h



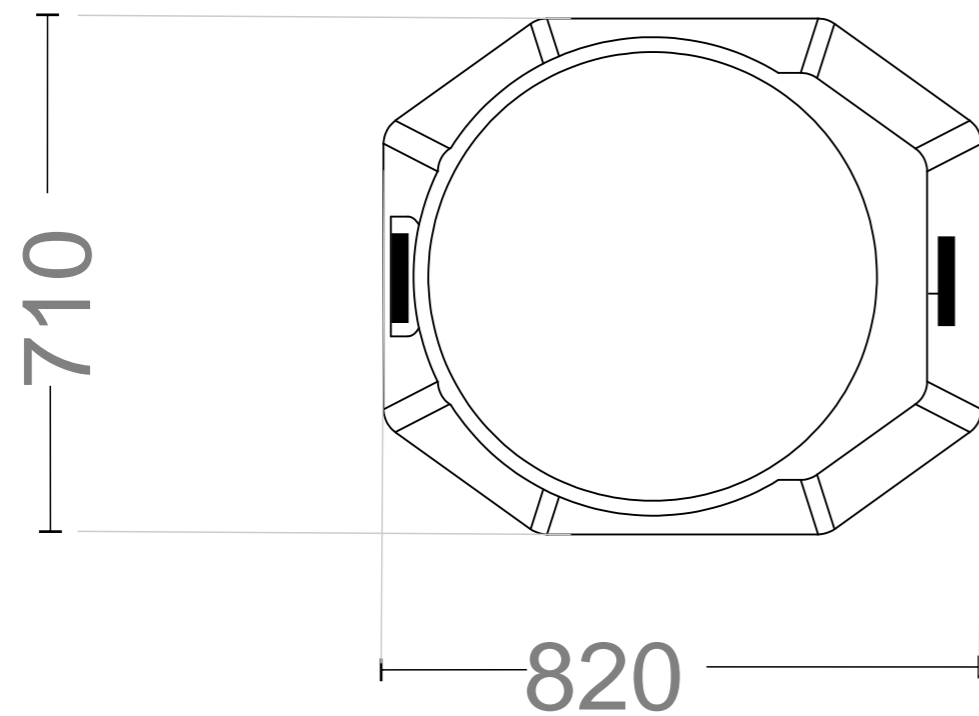
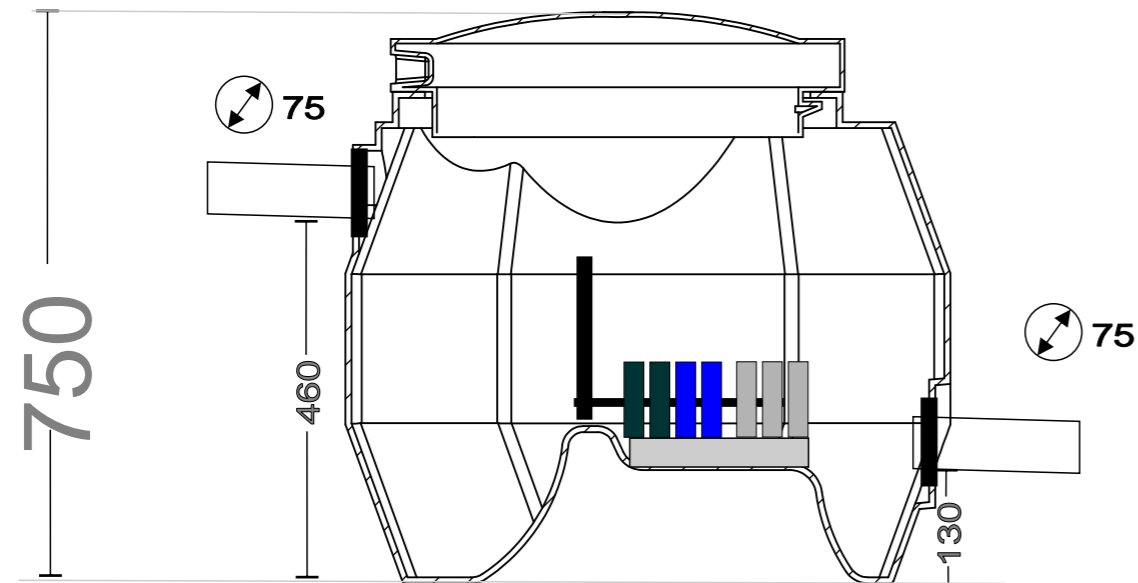
q-max 1200 l / 24 h - 250 l / h

		Scale:
 raitabiobox.fi	BioBox XL	
	2018	

BioBox XI

q-max 600 l/ 24 h - 75 l/ h

2a (23)



Malli, varustetaso, lisävarusteet:


Malli	Kapasiteetti l/ 24 h
Bio-Box XL	600

Modell, utrustningsnivå, tillägsutrustning::

Modell	Kapasitet l/ 24 h
Bio-Box XL	600

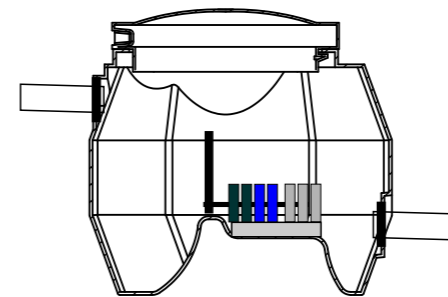
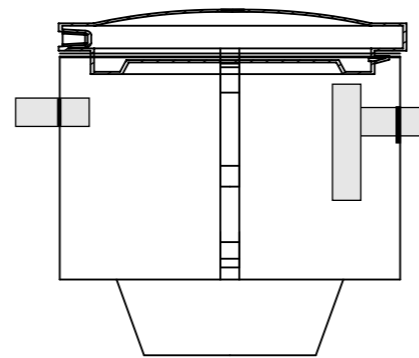
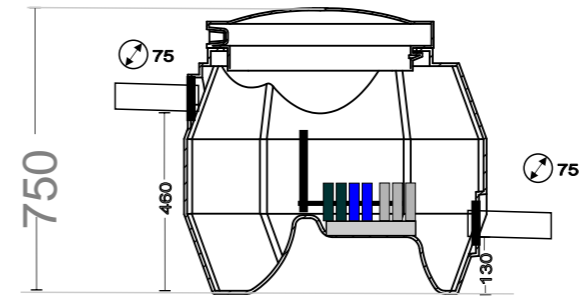
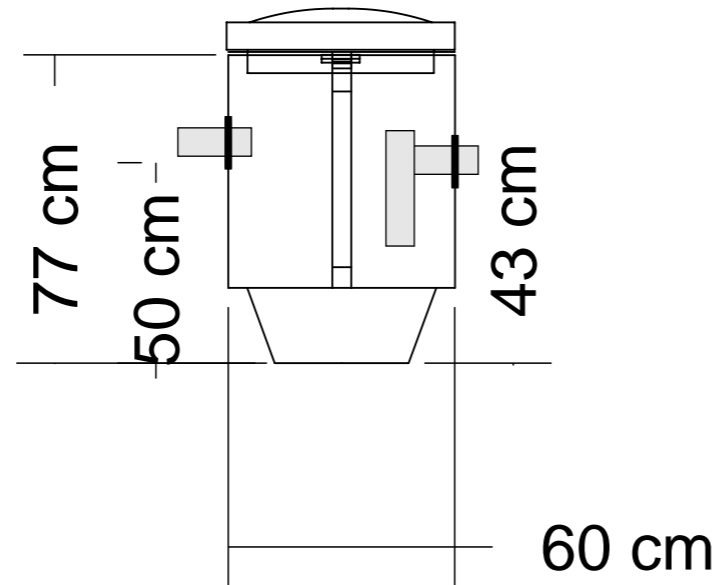
Model, equipment level, auxiliary equipment:


Model	Capacity l/ 24 h
Bio-Box XL	600

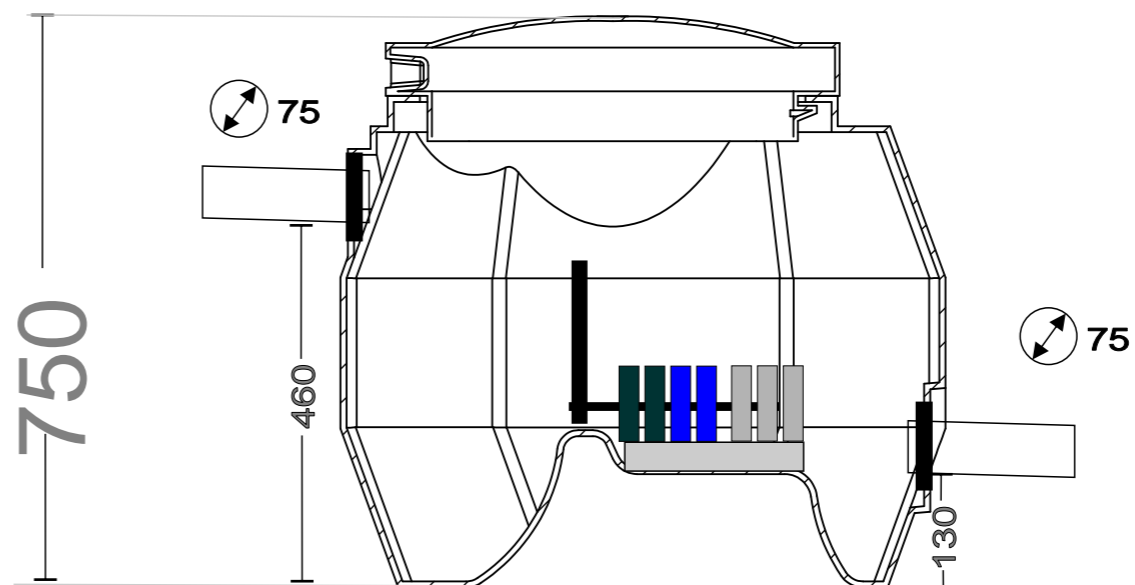
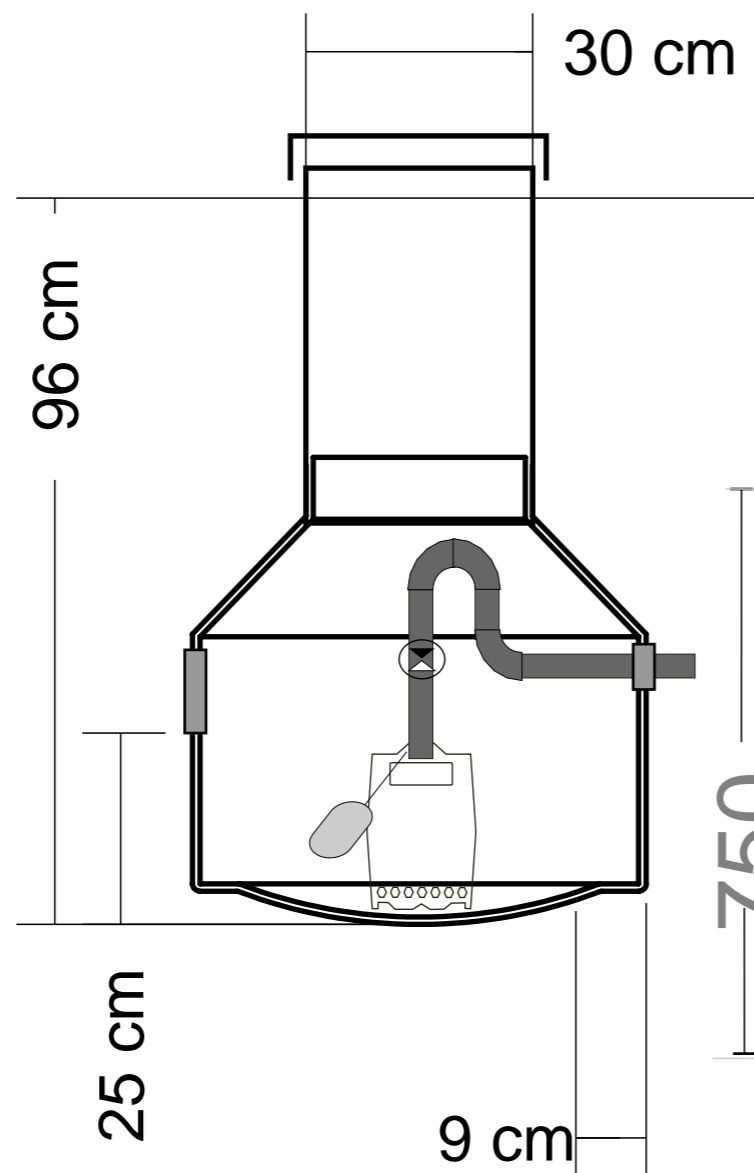
		Scale:
 raitabiobox.fi	BioBox XL	2018


Sk100 / Sk250 + BioBox XI

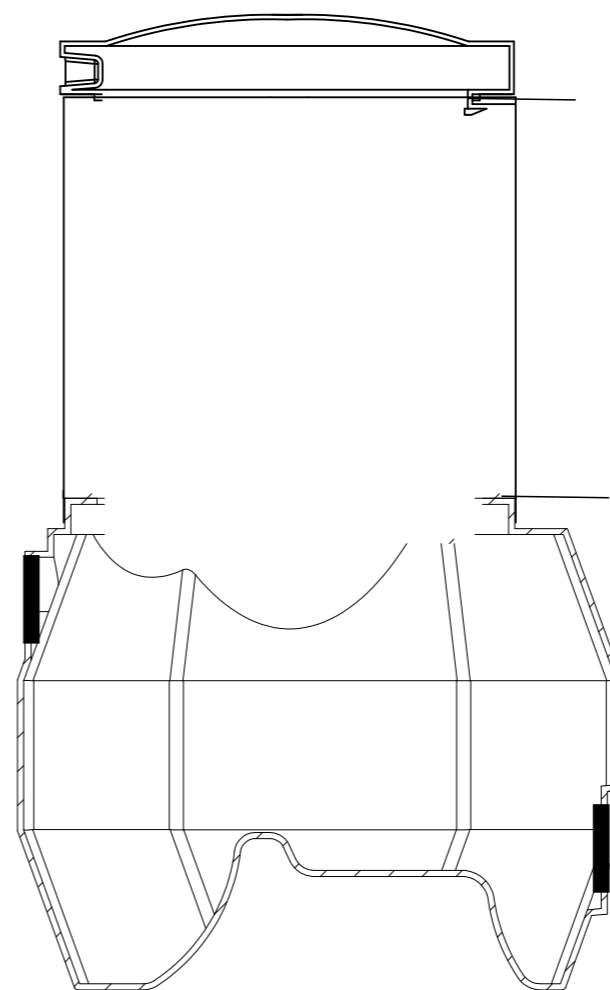
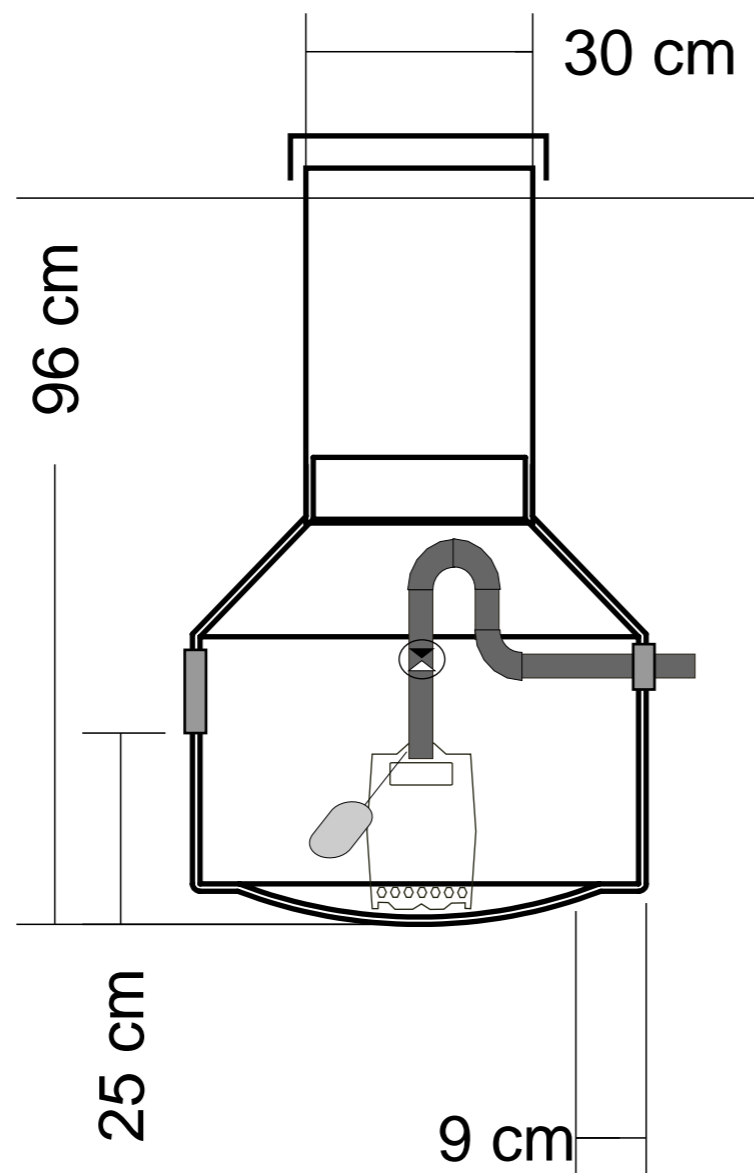
q-max 600 l / 24 h - 75 l / h




		Scale:
 raitabiobox.fi	BioBox XL	2018



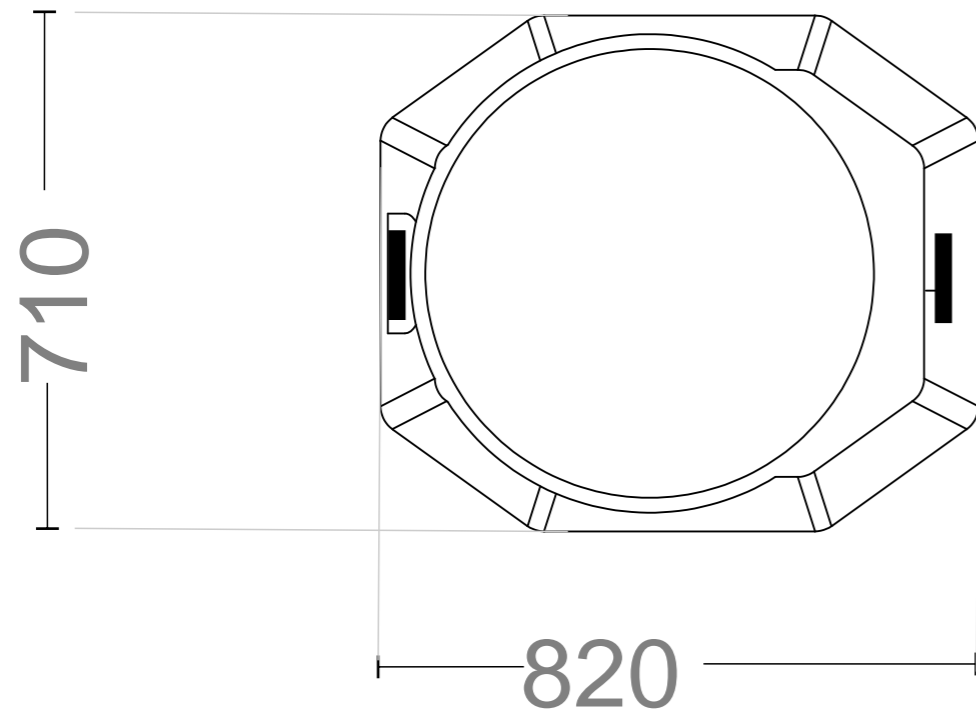
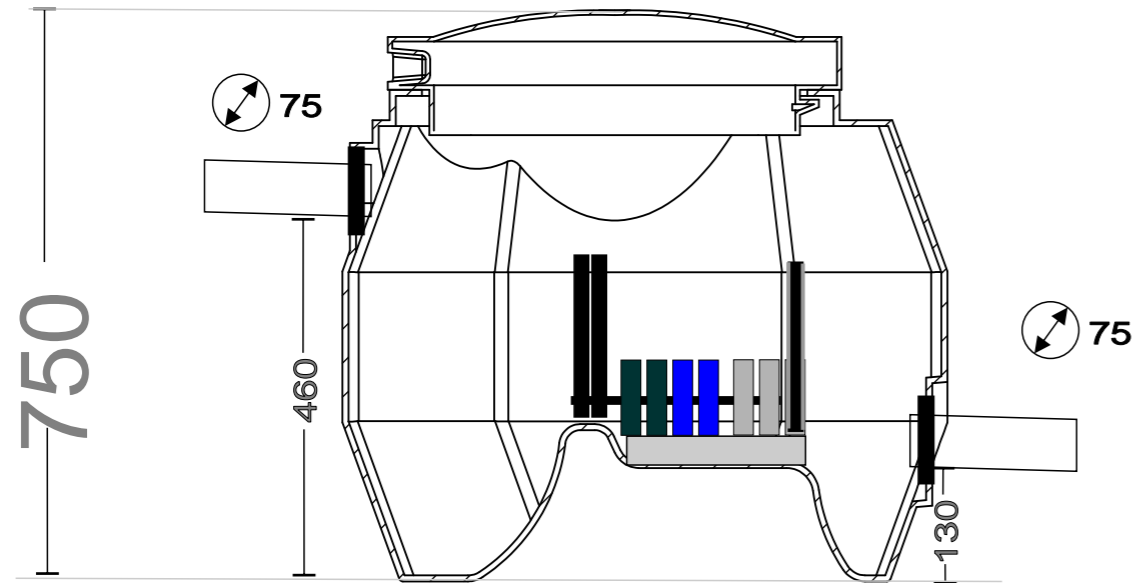
		Scale:
 raitabiobox.fi	BioBox XL	2018



		Scale:
 raitabiobox.fi	BioBox XL	2018

BioBox XI+

q-max 750 l/ 24 h - 125 l/ h



Malli, varustetaso, lisävarusteet:


Malli	Kapasiteetti l/ 24 h
Bio-Box XL+	750

Modell, utrustningsnivå, tillägsutrustning::

Modell	Kapasitet l/ 24 h
Bio-Box XL+	750

Model, equipment level, auxiliary equipment:

Model	Capacity l/ 24 h
Bio-Box XL+	750

		Scale:
 raitabiobox.fi	BioBox XL	2018

BioBox XI

sbio_xl_er1 | pakor 600_er

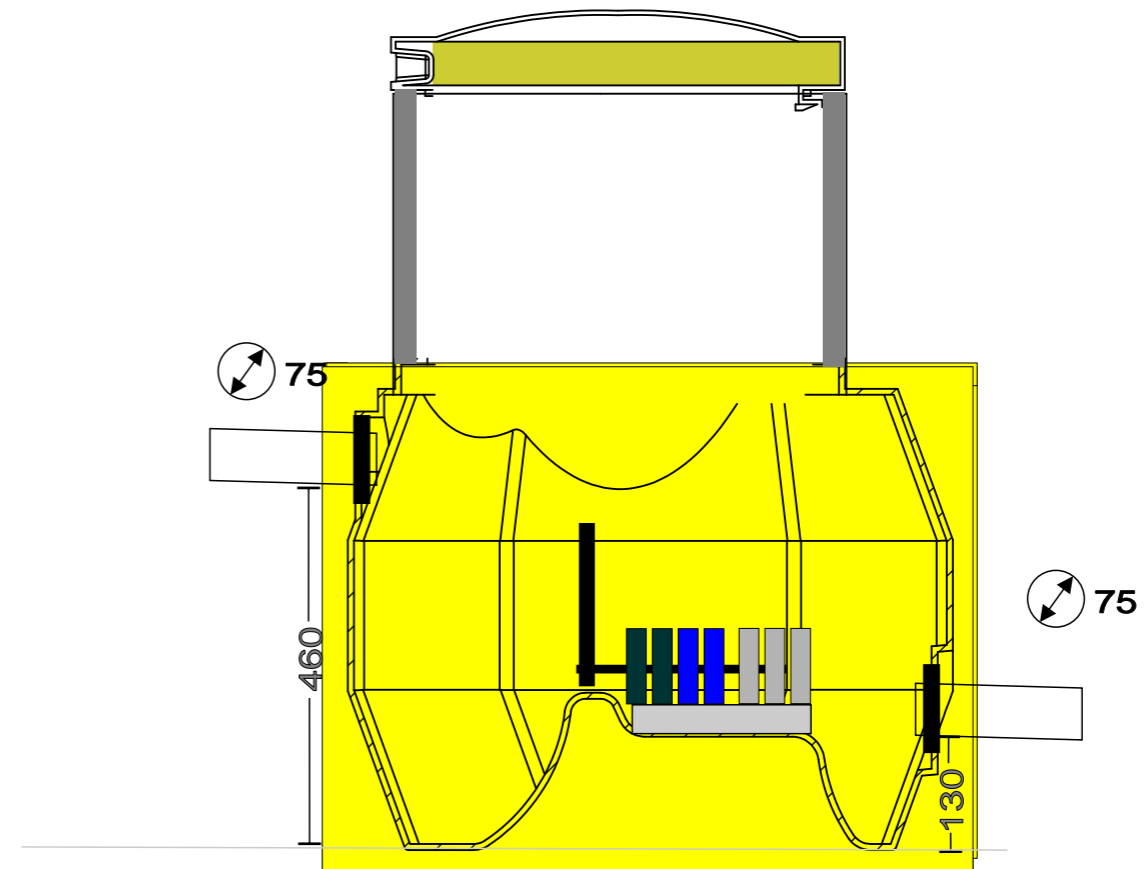
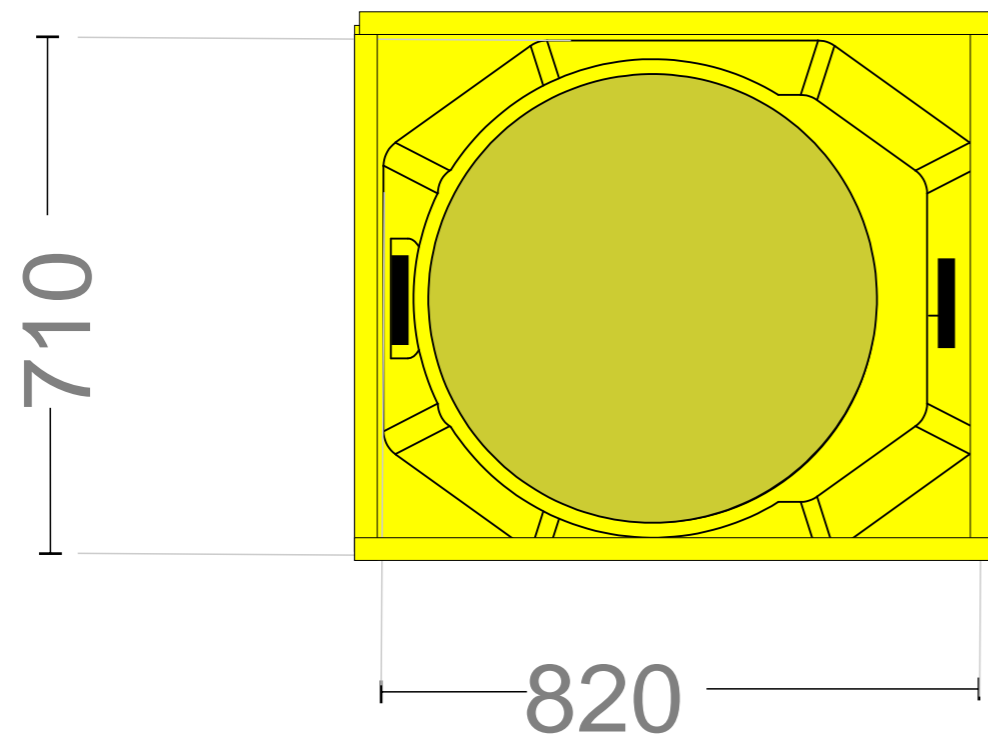
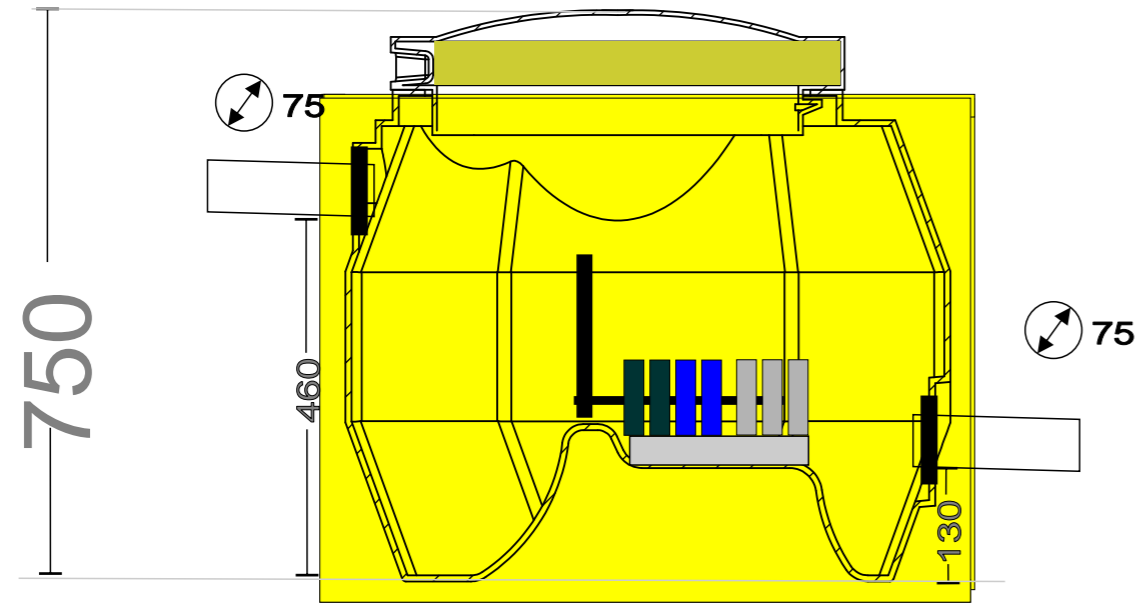
Eristepaketit- isoleringspaketer -isolationpackages:


- 1x Dia 600 50 mm
- 1x 820x710 (dia600)
- 2x 840x 700 50 mm
- 2x 750x 700 50 mm
- 1x 820x710 50 mm

6 (23)

Korotusosa - förhöjning - extension

600: 1x ppfoam 580x1900



		Scale:
 raitabiobox.fi	BioBox XL	2018

BioBox XL

sbio_ex_er2 | pakor 600_er

Eristepaketit- isoleringspaketer -isolationpackages:

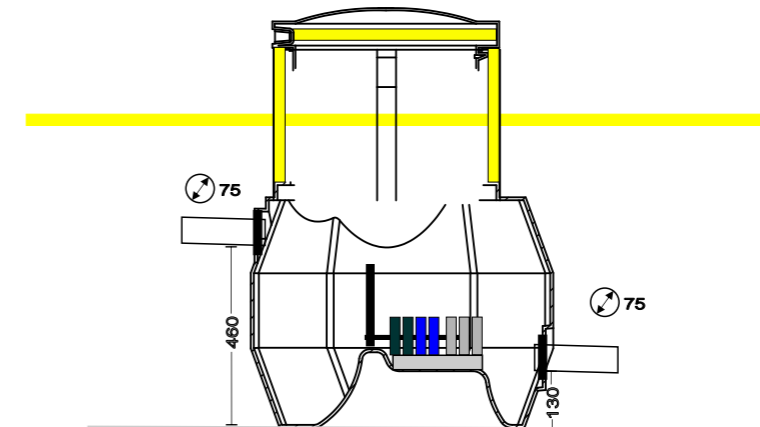
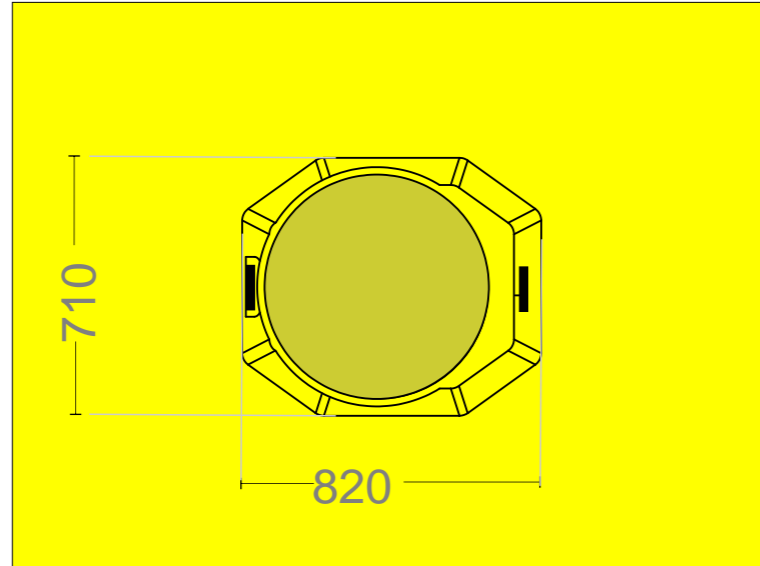
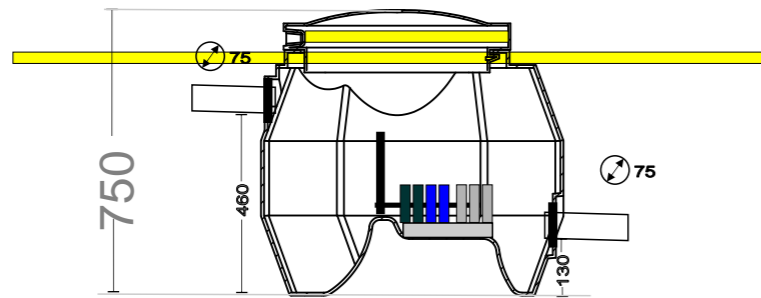
1x Dia 600 20 mm


1x 2000x1500 (dia600 aukko, öppning, opening)

7 (23)

Korotusosa - förhöjning - extension

600: 1x ppfoam 580x1900



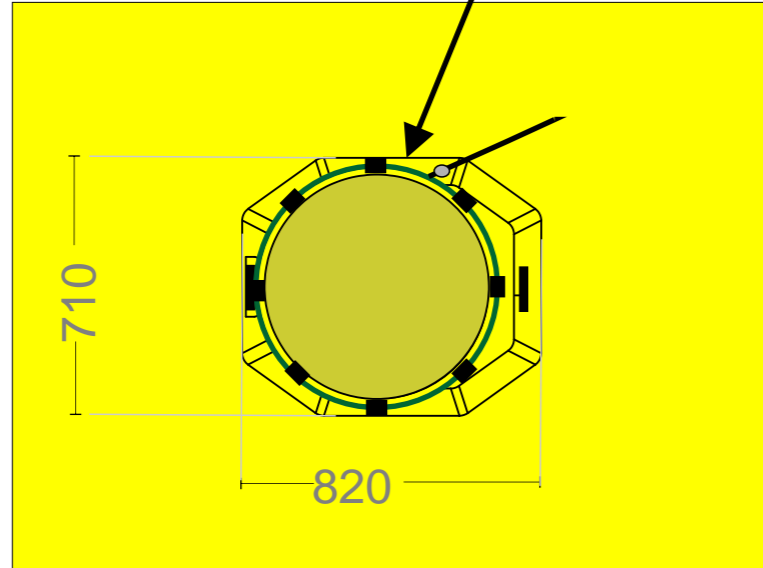
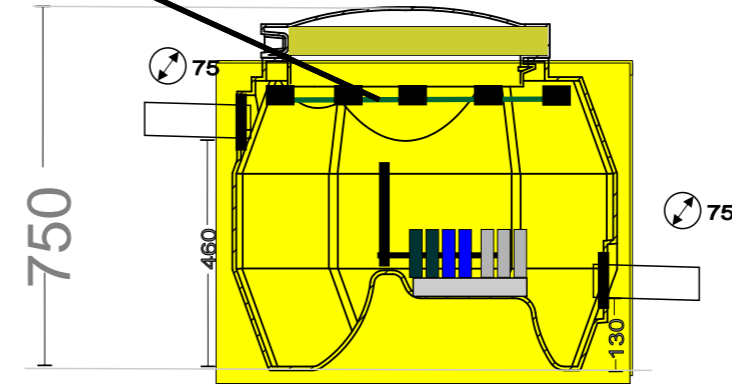
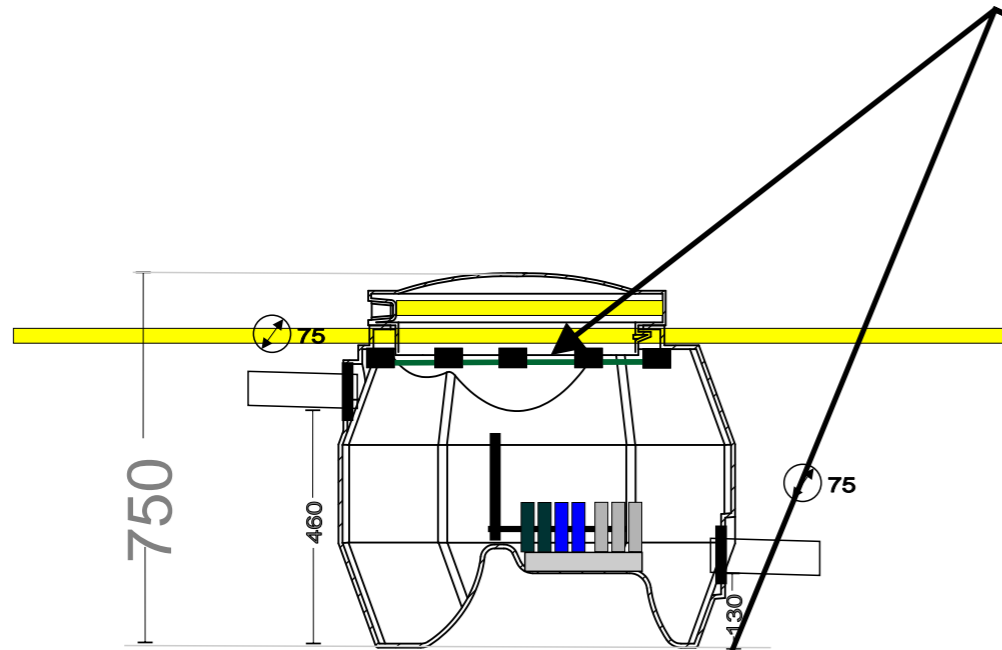
		Scale:
 raitabiobox.fi	BioBox XL	2018

BioBox XL


sbio_w

Lämmityskaapeli paketti | Heating cable package | Värmekabelpaket:

2m + 2m -40 °C.....+65 °C 230 V AC 50 Hz 16A – 10 W/m | clips10 pcs | cable seal 1 pcs **7w (23)**



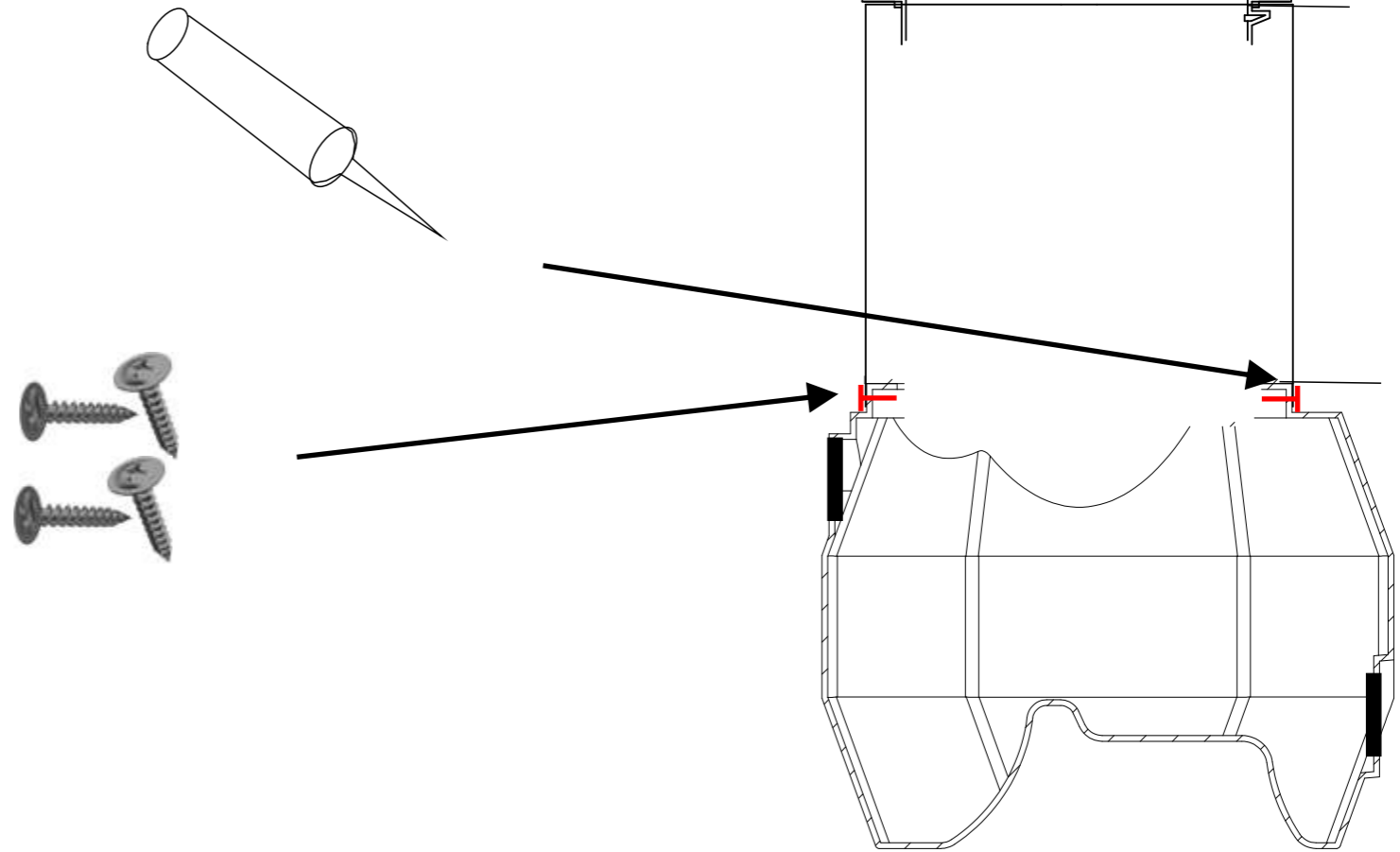
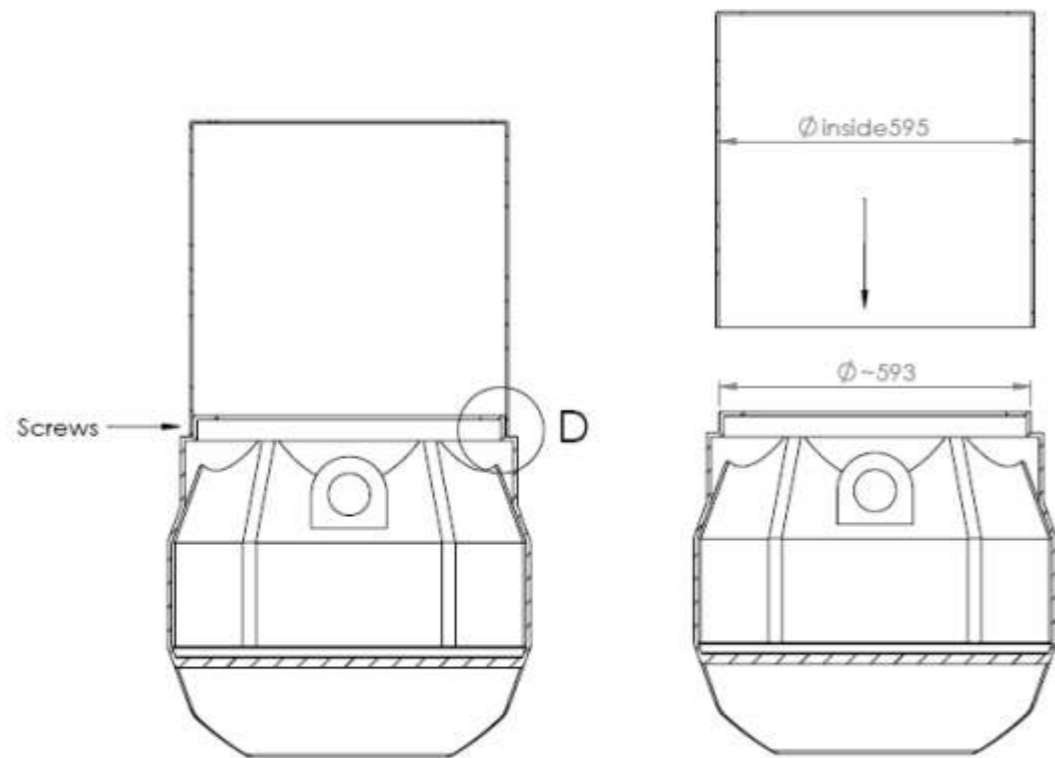
2m + 2m -40 °C.....+65 °C 230 V AC 50 Hz 16A – 10 W/m | clips10 pcs | cable seal 1 pcs

		Scale:
 raitabiobox.fi	BioBox XL	
	2018	

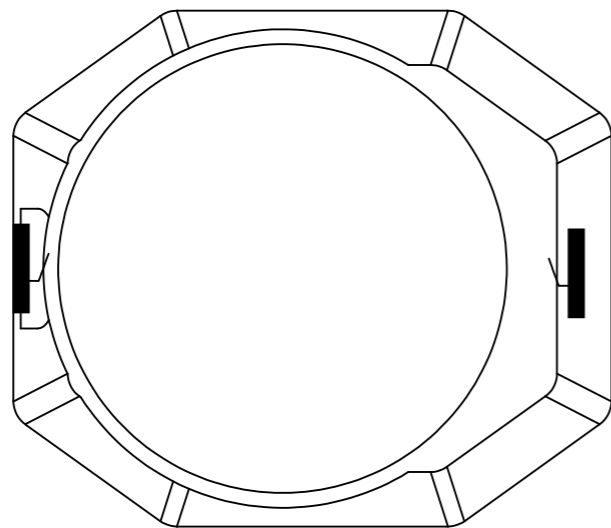
BioBox XL +pakor


8 (23)

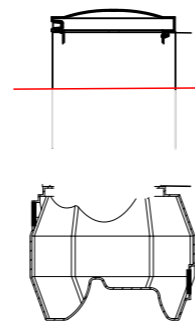
Assembling schematic



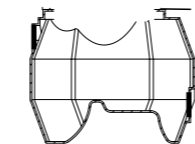
650 + 560



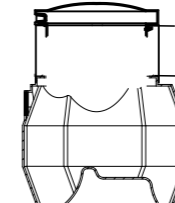
1) 




2) 



3) 



		Scale:
 raitabiobox.fi	BioBox XL	
	2018	

BioBox XL +pakor

9 (23)

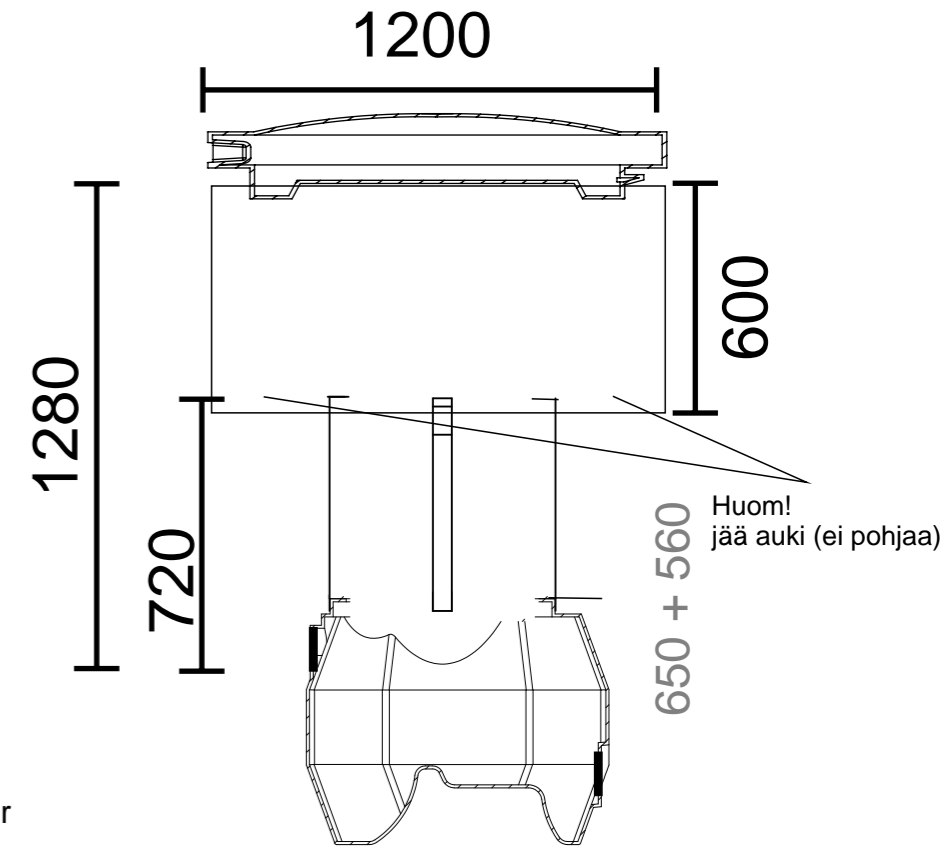
q-max 600 l/ 24 h - 75 l/ h



Kansi 1200

Pakor 1200

Pakor 600



Malli, varustetaso, lisävarusteet:

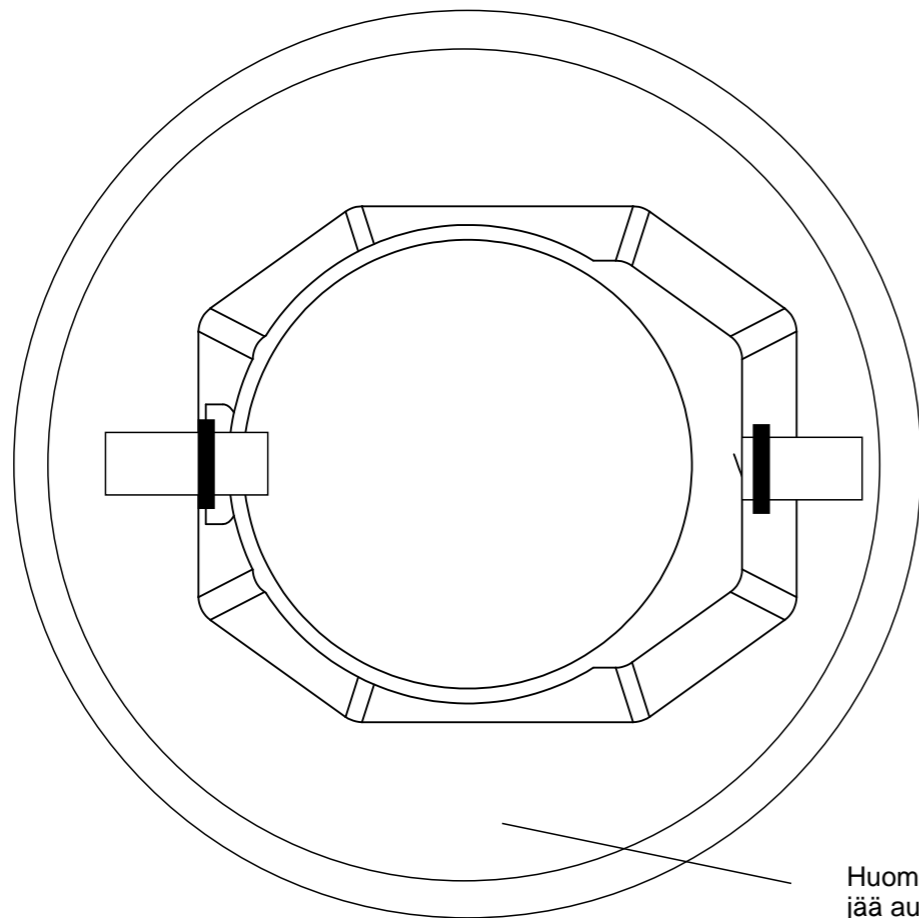
Malli	Kapasiteetti l/ 24 h	Pakor
Bio-Box XL	600	+


Modell, utrustningsnivå, tilläggsutrustning::

Modell	Kapasitet l/ 24 h	Pakor
Bio-Box XL	600	+

Model, equipment level, auxiliary equipment:

Model	Capacity l/ 24 h	Pakor
Bio-Box XL	600	+



		Scale:
 raitabiobox.fi	BioBox XL	2018

BioBox XI + BM (x 2/4/6)

q-max 600 l / 24 h (125 l / h - 200 l/h - 300 l / h)

Malli, varustetaso, lisävarusteet:

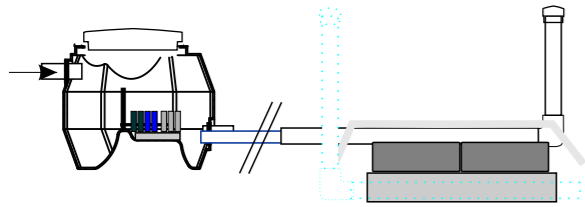
Malli	Kapasiteetti l / 24 h	BM	Pakor
Bio-Box XL	600	+	+

Modell, utrustningsnivå, tillägsutrustning::

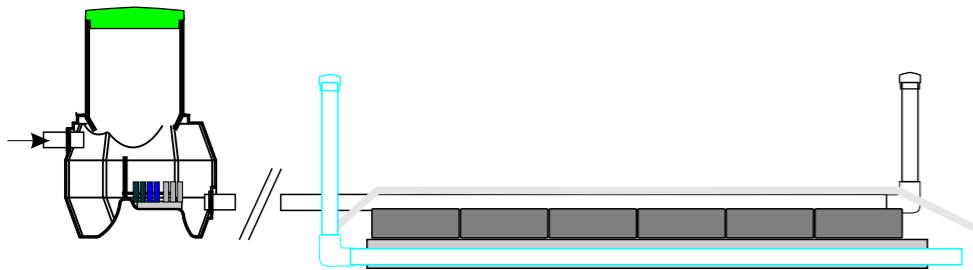
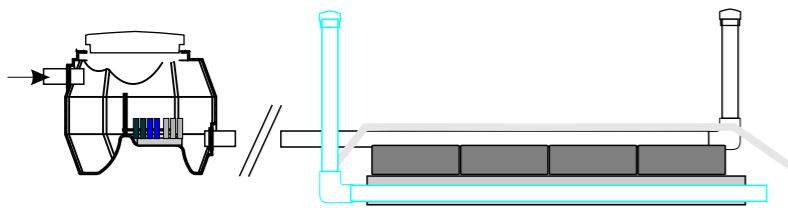
Modell	Kapasitet l / 24 h	BM	Pakor
Bio-Box XL	600	+	+

Model, equipment level, auxiliary equipment:

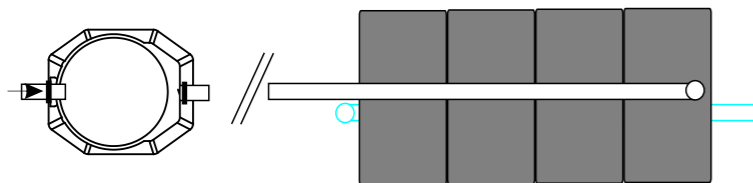
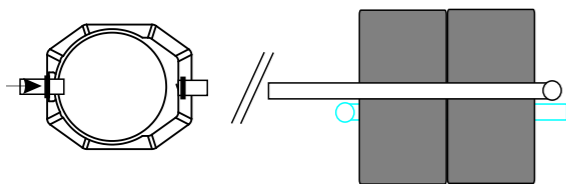
Model	Capacity l / 24 h	BM	Pakor
Bio-Box XL	600	+	+




Imeytys, infiltration



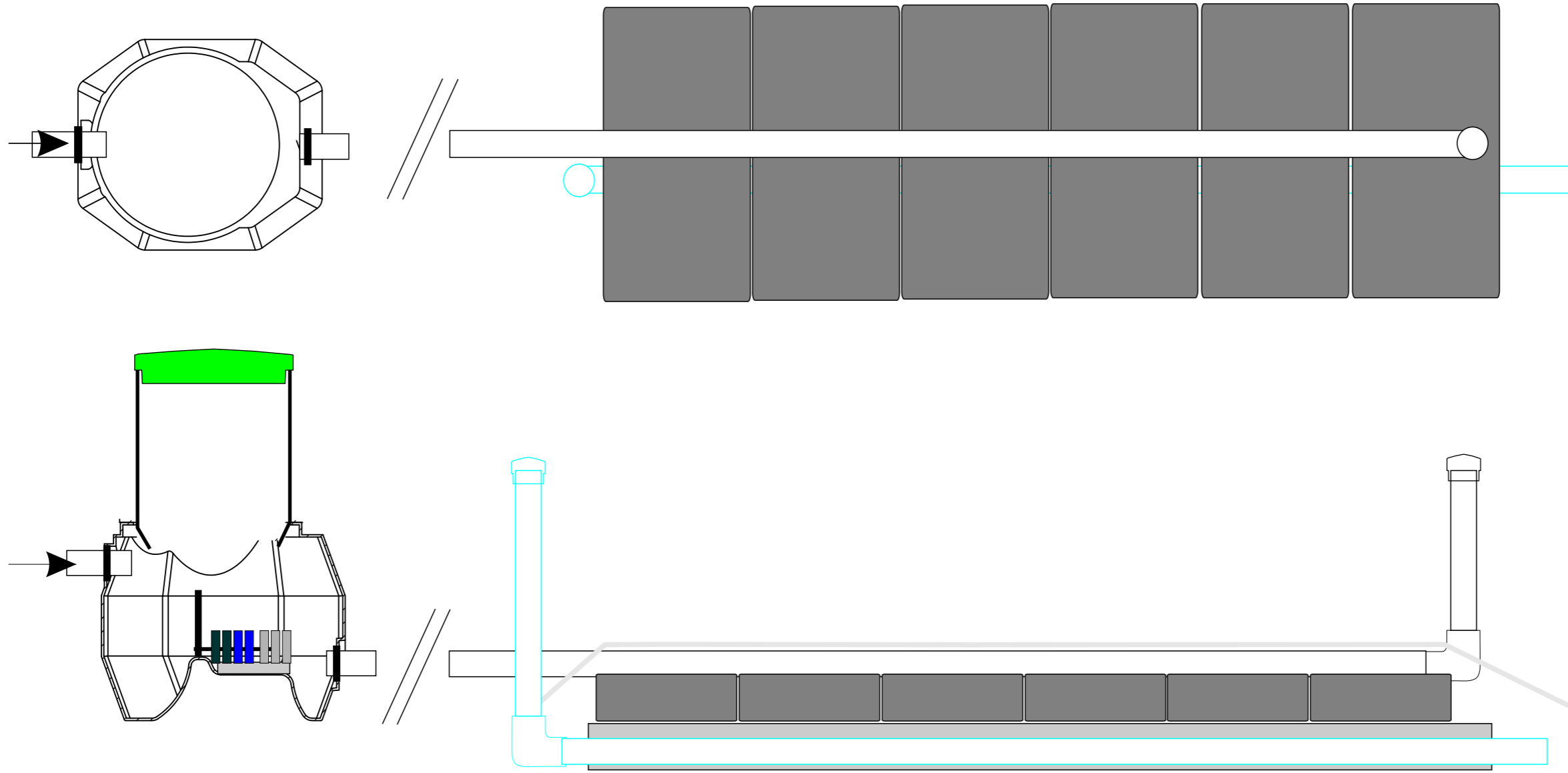
Suodatus, markbädd, biomodul /sand filter




		Scale:
 raitabiobox.fi	BioBox XL	2018

BioBox XI + BM (x 2/4/6)

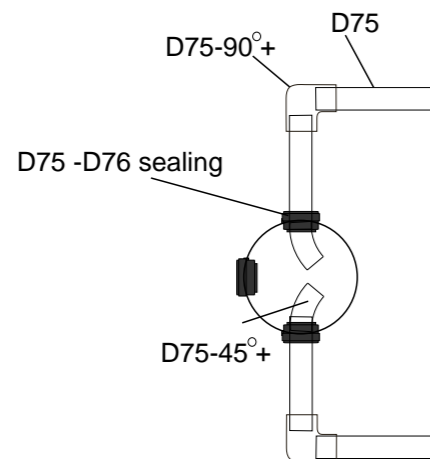
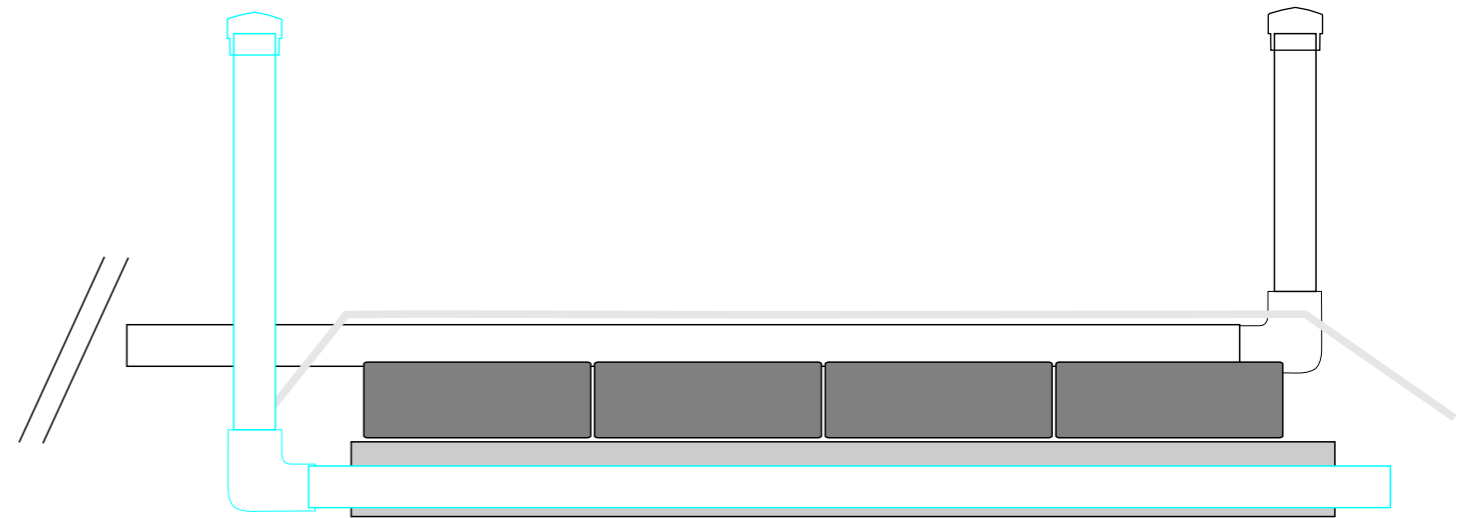
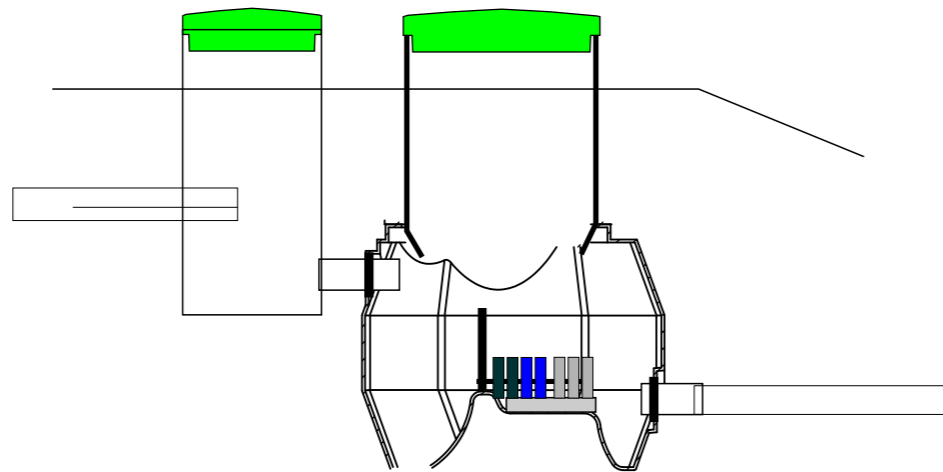
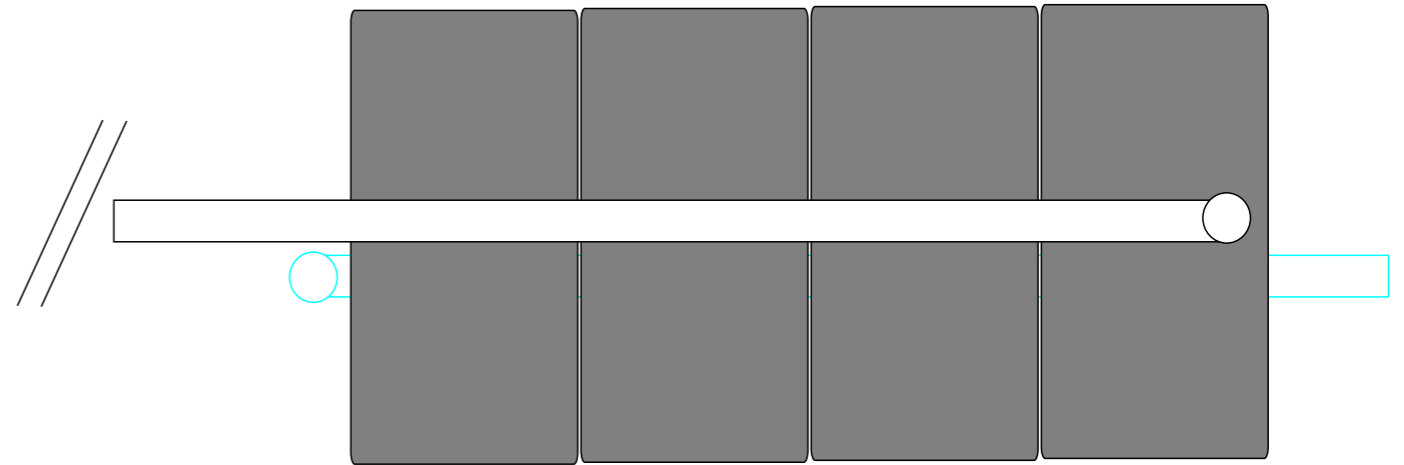
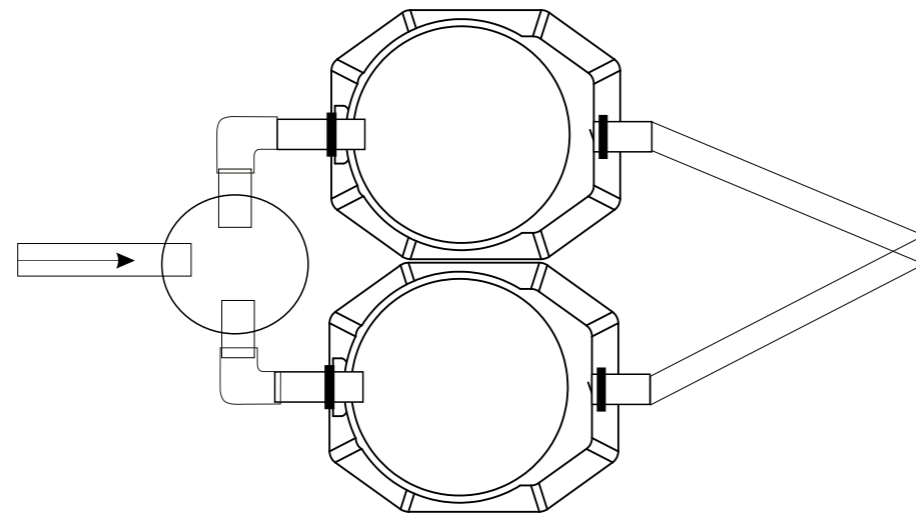
q-max 600 l / 24 h (125 l / h - 200 l/h - 300 l / h)




		Scale:
 raitabiobox.fi	BioBox XL	2018

Jk300 1/2 + BioBox XL (+pakor)

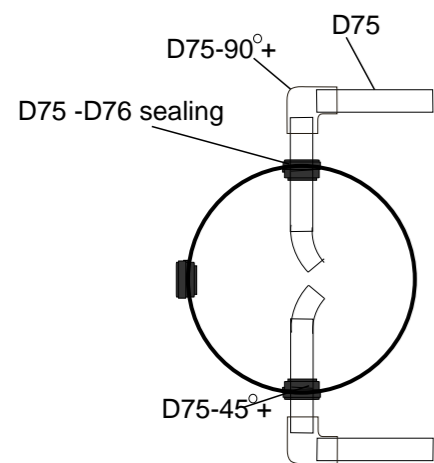
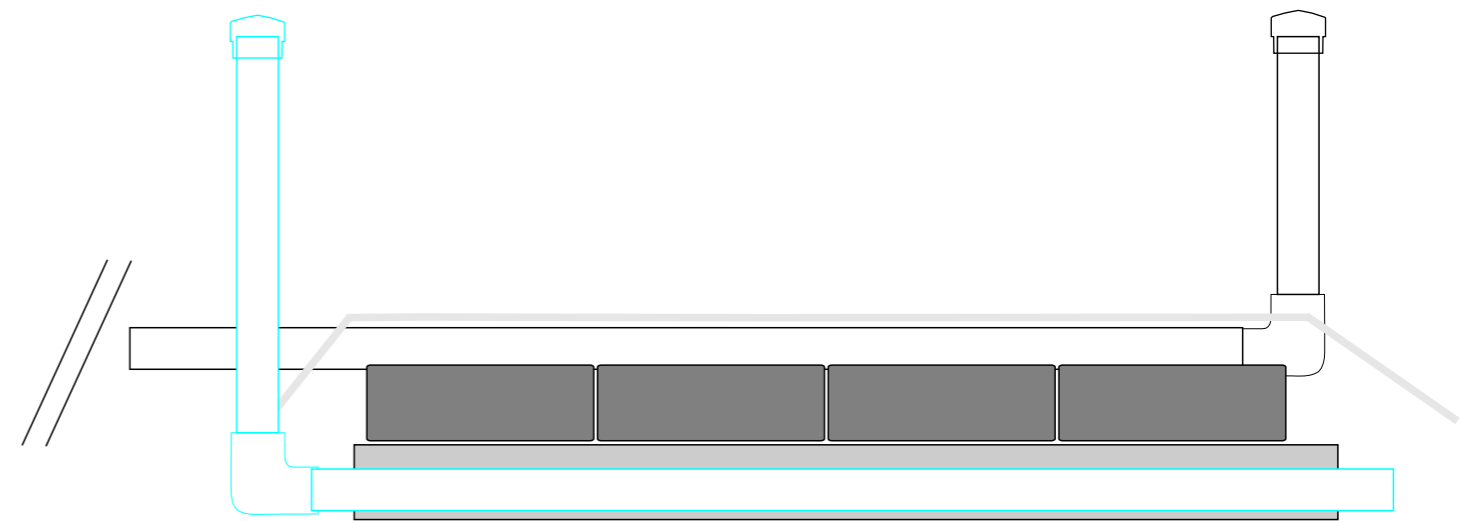
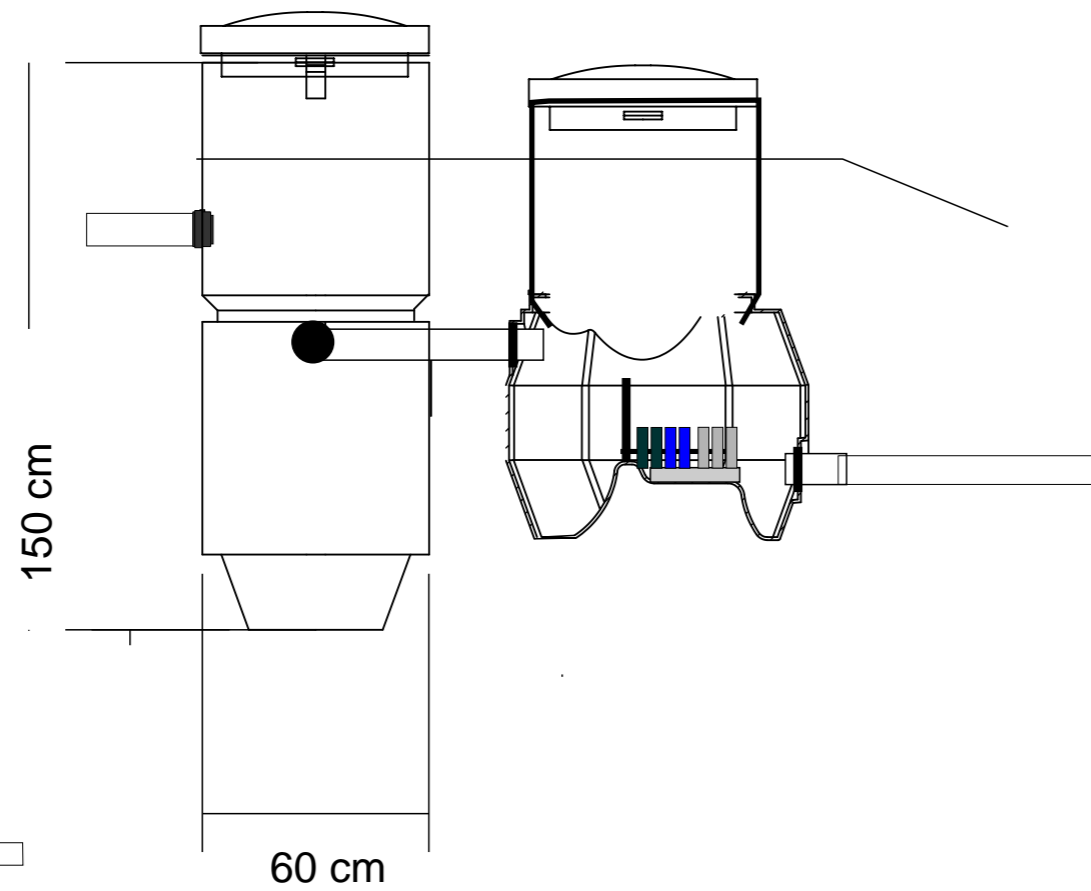
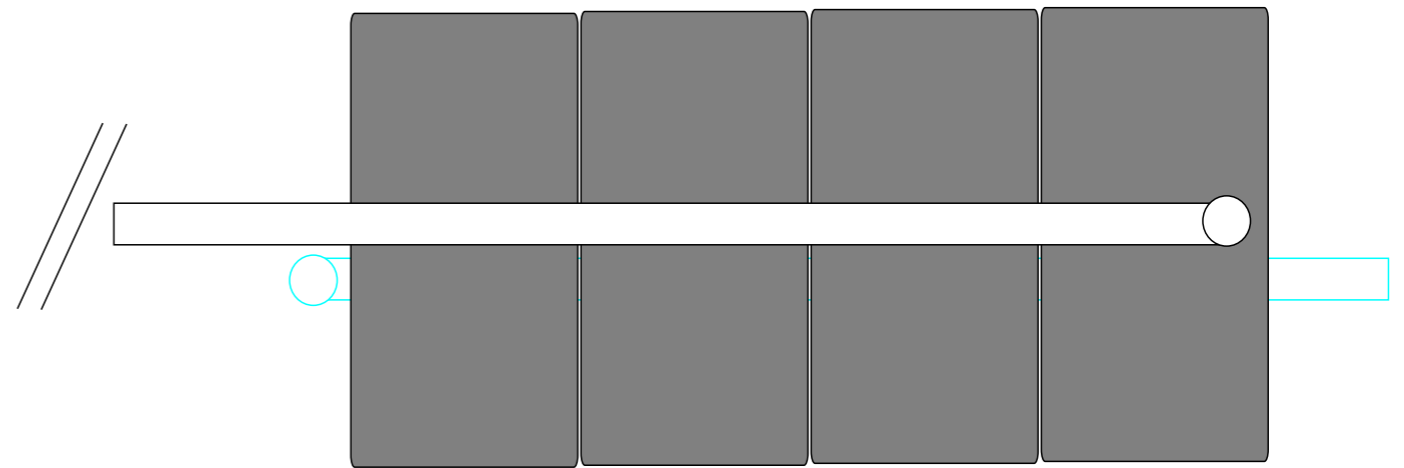
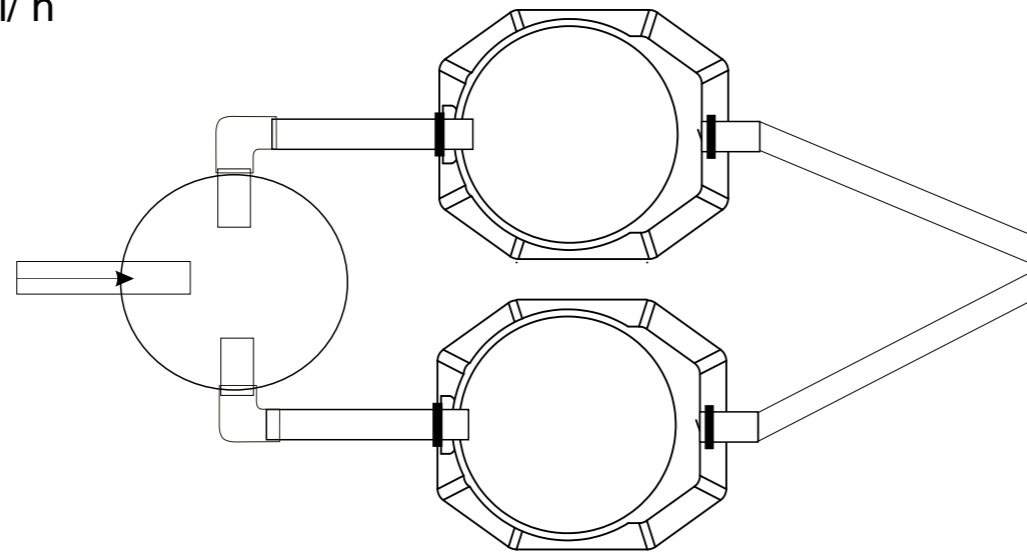
q-max 1200 l / 24 h - 250 l / h




		Scale:
 raitabiobox.fi	BioBox XL	2018

Jk600 1/2 + BioBox XL (+pakor)

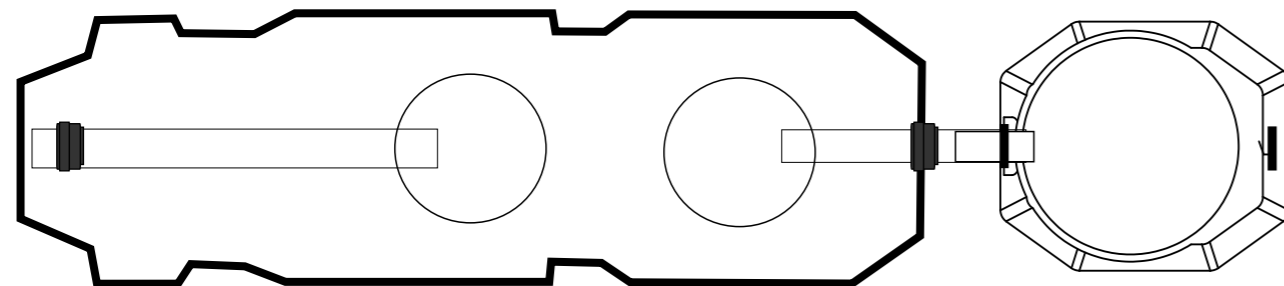
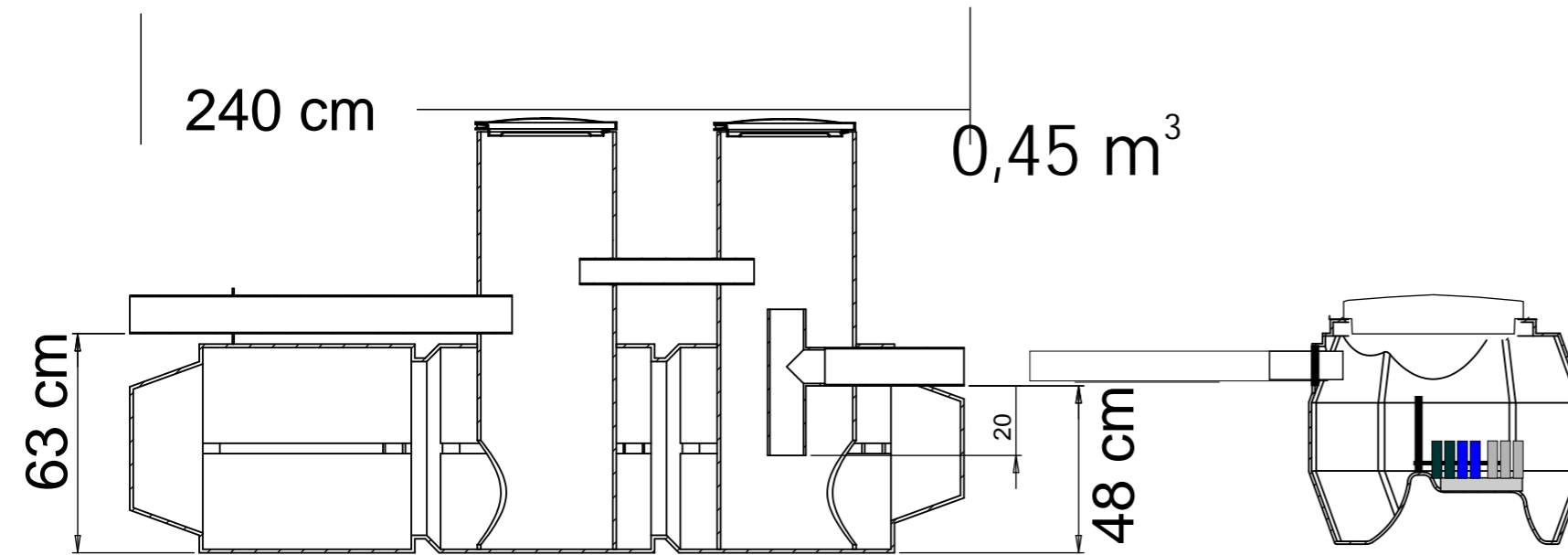
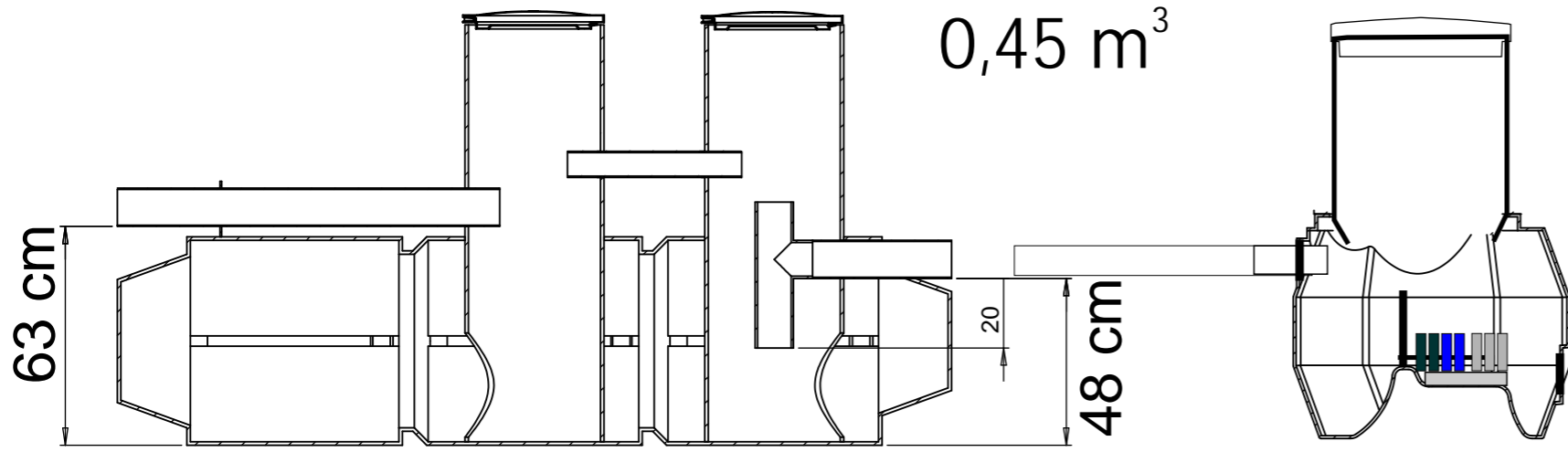
q-max 1200 l / 24 h - 300 l / h



		Scale:
 raitabiobox.fi	BioBox XL	2018

Sk450 + BioBox XL (+pakor)

q-max 600 l / 24 h - 125 l / h



Malli, varustetaso, lisävarusteet:


Malli	Kapasiteetti l / 24 h	SK 450	Pakor
Bio-Box XL	600	+	+

Modell, utrustningsnivå, tilläggsutrustning::

Modell	Kapasitet l / 24 h	SK 450	Pakor
Bio-Box XL	600	+	+

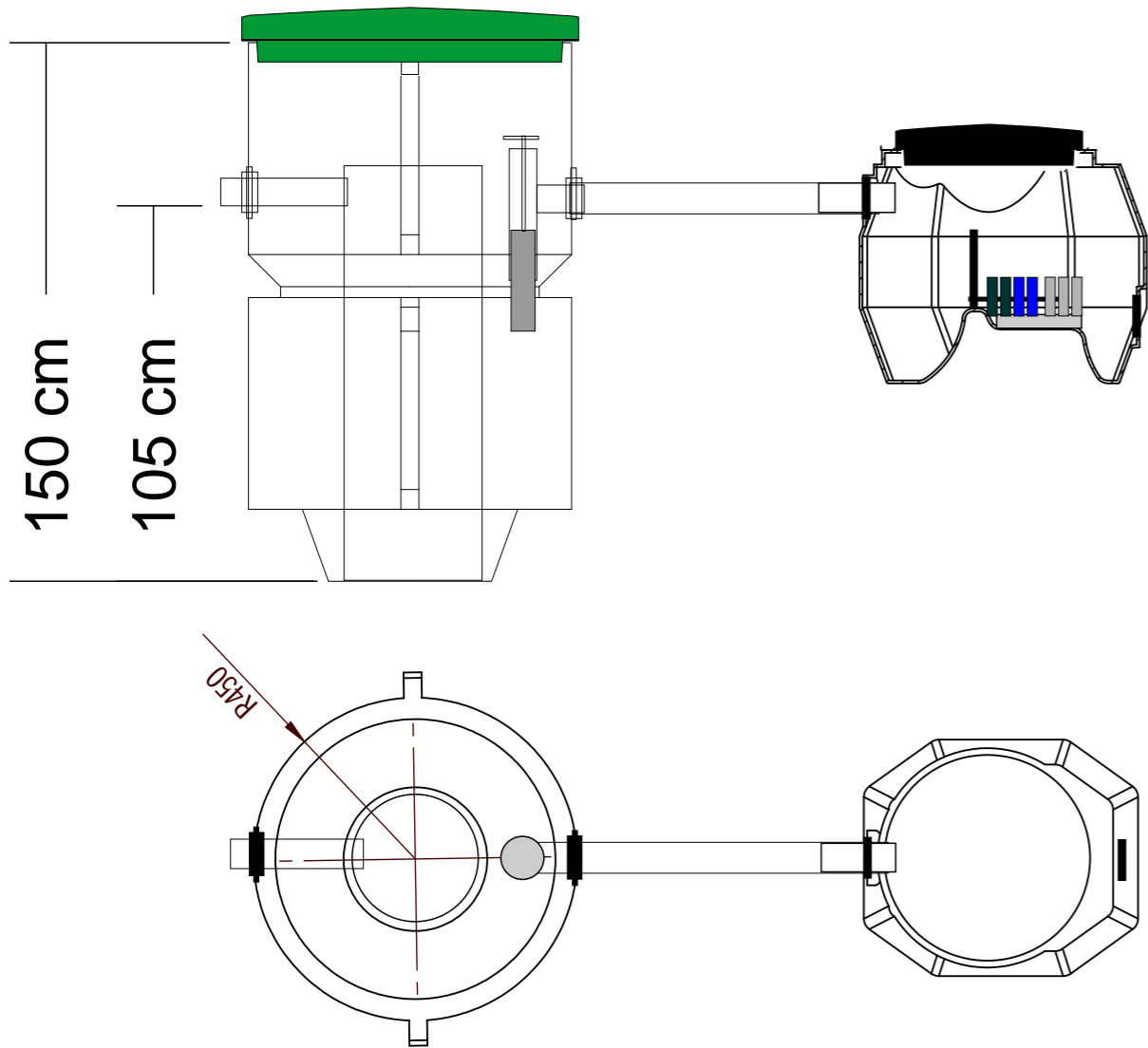
Model, equipment level, auxiliary equipment:

Model	Capacity l / 24 h	SK 450	Pakor
Bio-Box XL	600	+	+

		Scale:
 <p>raitabiobox.fi</p>	BioBox XL	2018

Sk600 + BioBox XL

q-max 600 l / 24 h - 125 l / h



Malli, varustetaso, lisävarusteet:


Malli	Kapasiteetti l / 24 h	SK600	Pakor
Bio-Box XL	600	+	+

Modell, utrustningsnivå, tilläggsutrustning::

Modell	Kapasitet l / 24 h	SK600	Pakor
Bio-Box XL	600	+	+

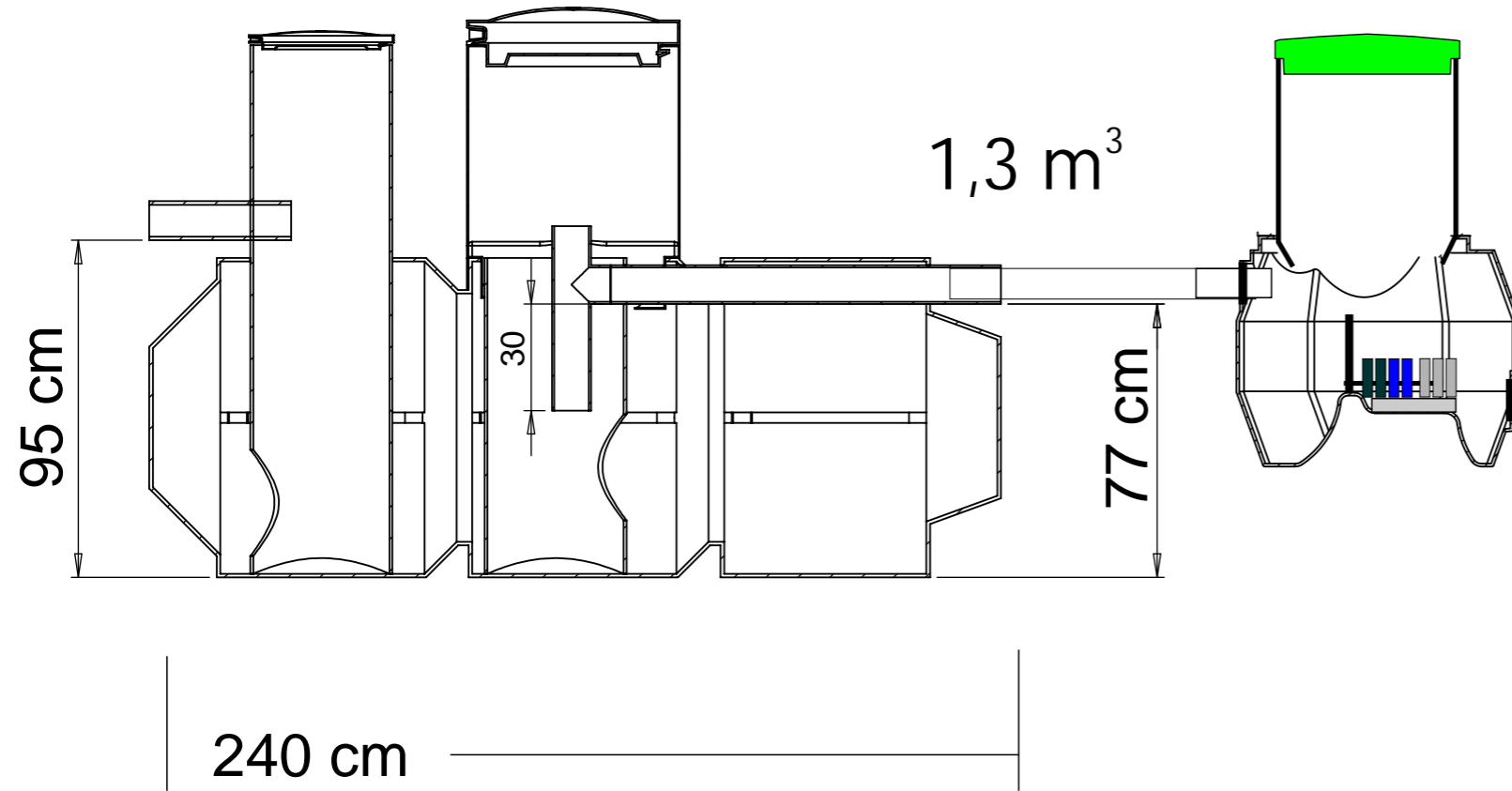
Model, equipment level, auxiliary equipment:

Model	Capacity l / 24 h	SK600	Pakor
Bio-Box XL	600	+	+

		Scale:
 raitabiobox.fi	BioBox XL	2018

Sk1300 + BioBox XL (+pakor)

q-max 600 l / 24 h - 200 l / h



Malli, varustetaso, lisävarusteet:


Malli	Kapasiteetti l / 24 h	SK 1300	Pakor
Bio-Box XL	600	+	+

Modell, utrustningsnivå, tilläggsutrustning::

Modell	Kapasitet l / 24 h	SK 1300	Pakor
Bio-Box XL	600	+	+

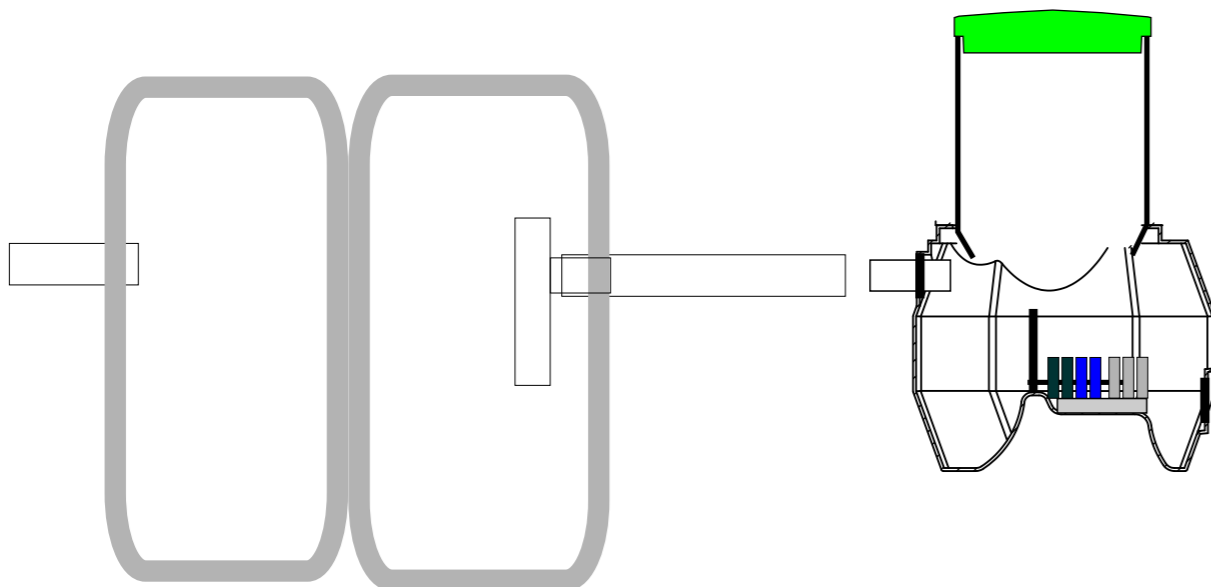
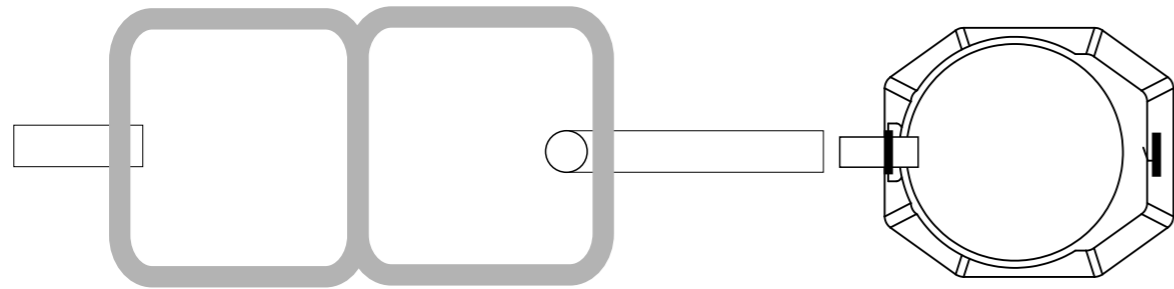
Model, equipment level, auxiliary equipment:

Model	Capacity l / 24 h	SK 1300	Pakor
Bio-Box XL	600	+	+

		Scale:
 <p>raitabiobox.fi</p>	BioBox XL	2018

Vanha sakokaivo + BioBox XL (+pakor)

q-max 600 l/ 24 h - 125 l/ h



Vanhan saostuskaivo tarkastus:

- tarkastettava tiiveys
- poistossa t-haara
- viemärituuletus
- tilavuus; jäteveden viipymä kaivossa 1-1,5 vrk:tta (tilavuus min 400 l)

Kontroll av det befintliga slamavkliljaren:

- kontrollera täthet
- t-rörkoppling i utgående
- ventilation
- volym; min 1-1,5 x kapacitet/ 24 h (volym min 400 l)

Controll of the existing precipitation tank:

- controll tightness of the wells
- t-pipe connection for out going water
- ventilation
- volume; min 1-1,5 x capacitys/24 h (volym min 400 l)

Malli, varustetaso, lisävarusteet:


Malli	Kapasiteetti l/ 24 h	SK 420	Pakor
Bio-Box XL	600	+	+

Modell, utrustningsnivå, tilläggsutrustning::

Modell	Kapasitet l/ 24 h	SK 420	Pakor
Bio-Box XL	600	+	+

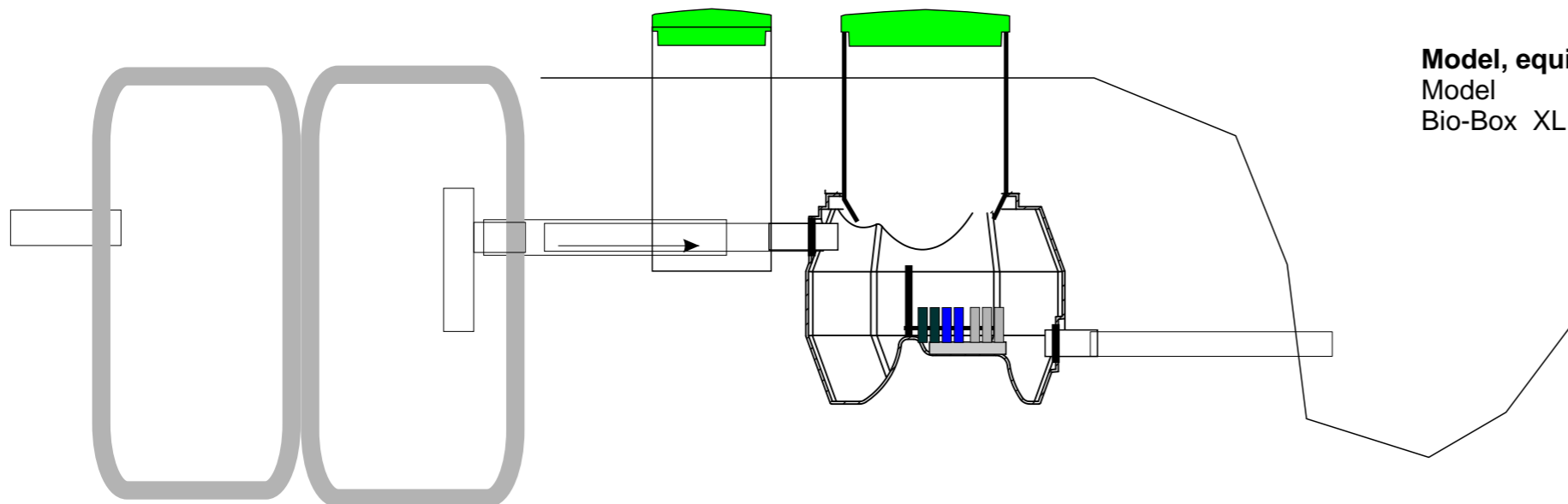
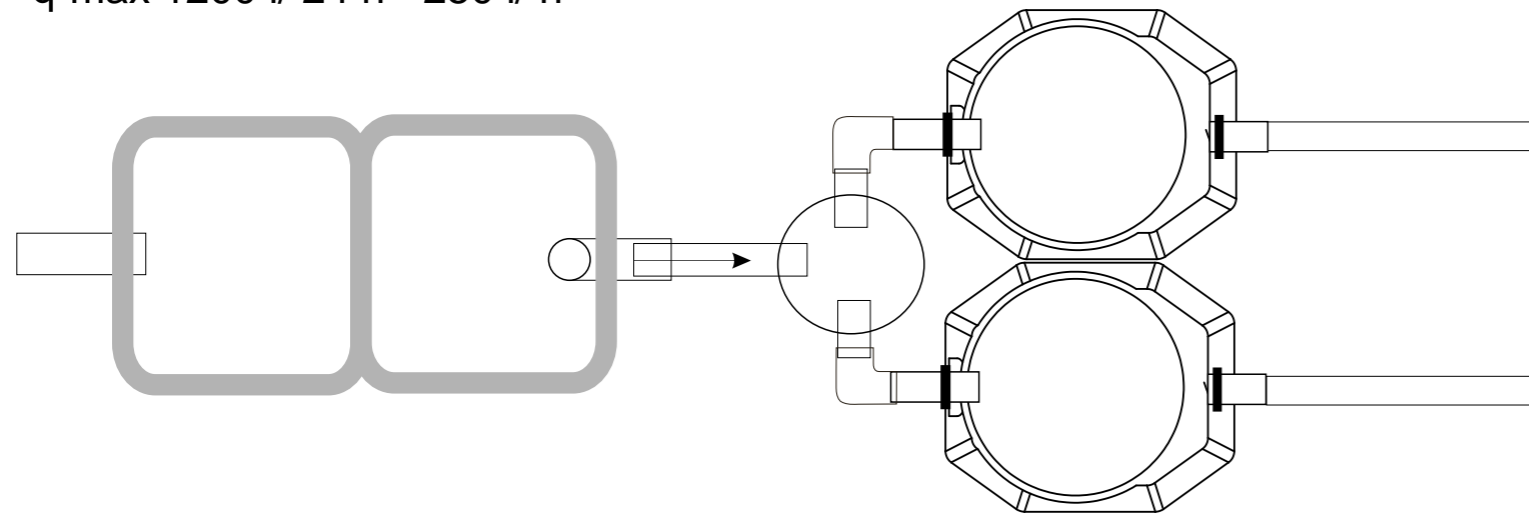
Model, equipment level, auxiliary equipment:

Model	Capacity l/ 24 h	SK 420	Pakor
Bio-Box XL	600	+	+

		Scale:
 raitabiobox.fi	BioBox XL	2018

Vanha sakokaivo + BioBox XL (+pakor)

q-max 1200 l / 24 h - 250 l / h



Malli, varustetaso, lisävarusteet:

Malli	Kapasiteetti l / 24 h		
Bio-Box XL	600	+	+

Modell, utrustningsnivå, tilläggsutrustning::

Modell	Kapasitet l / 24 h		
Bio-Box XL	600	+	+

Model, equipment level, auxiliary equipment:

Model	Capacity l / 24 h		
Bio-Box XL	600	+	+

Vanhan saostuskaivo tarkastus:


- tarkastettava tiiveys
- poistossa t-haara
- viemärituuletus
- tilavuus; jäteveden viipymä kaivossa 1-1,5 vrk:tta (tilavuus min 400 l)

Kontroll av det befintliga slamavkliljaren:

- kontrollera täthet
- t-rörkoppling i utgående
- ventilation
- volym; min 1-1,5 x kapacitet / 24 h (volym min 400 l)

Controll of the existing precipitation tank:

- controll tightness of the wells
- t-pipe connection for out going water
- ventilation
- volume; min 1-1,5 x capacity/24 h (volym min 400 l)

		Scale:
 raitabiobox.fi	BioBox XL	2018

JK 200 + BioBox XI x 2

q-max 1200 l/ 24 h - 150 l/ h

Malli, varustetaso, lisävarusteet:

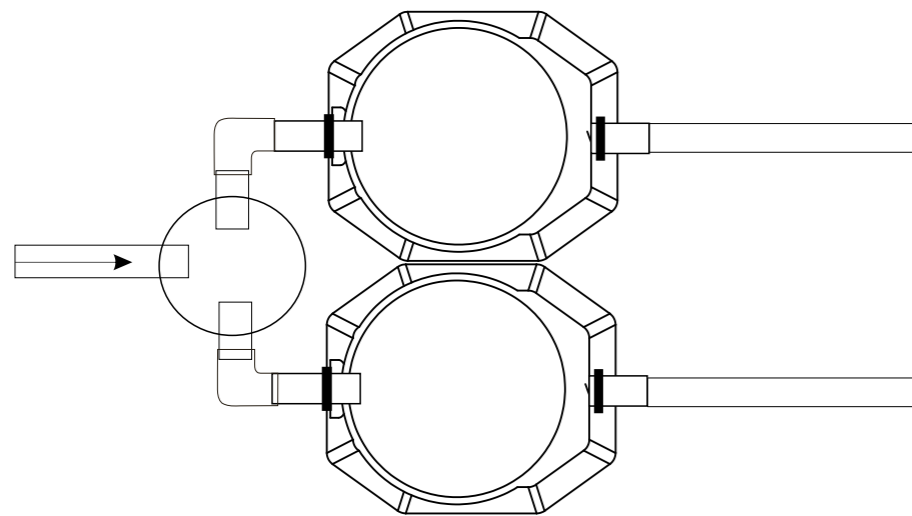
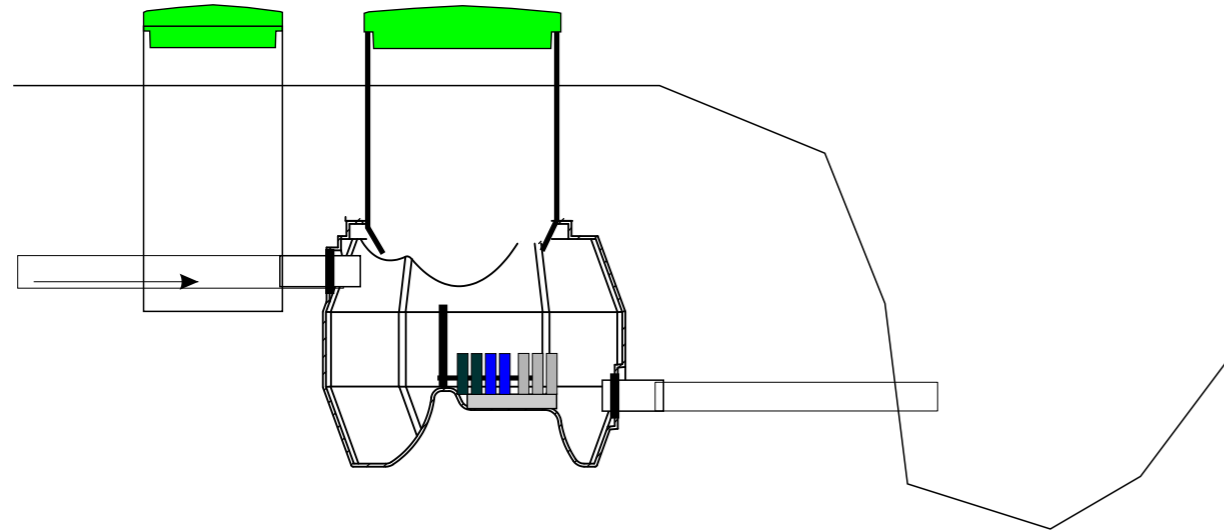
Malli	Kapasiteetti l/ 24 h	BM	Pakor
Bio-Box XL	600	+	+


Modell, utrustningsnivå, tillägsutrustning::

Modell	Kapasitet l/ 24 h	BM	Pakor
Bio-Box XL	600	+	+

Model, equipment level, auxiliary equipment:

Model	Capacity l/ 24 h	BM	Pakor
Bio-Box XL	600	+	+



		Scale:
 raitabiobox.fi	BioBox XL	2018

JK 200 + BioBox XI x 2 + BM x 4

q-max 1200 l/ 24 h - 250 l/ h

Malli, varustetaso, lisävarusteet:

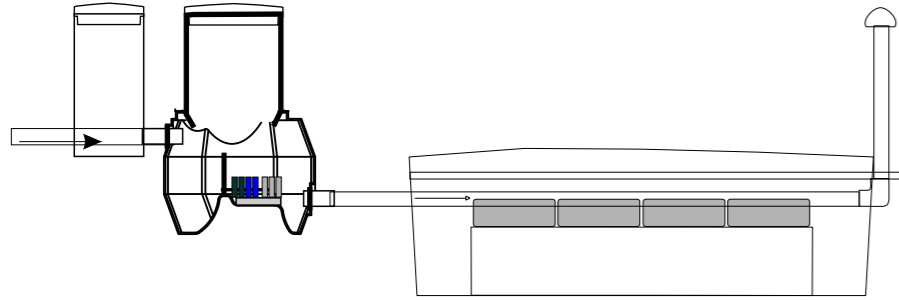
Malli	Kapasiteetti l/ 24 h	BM	Pakor
Bio-Box XL	600	+	+

Modell, utrustningsnivå, tillägsutrustning::

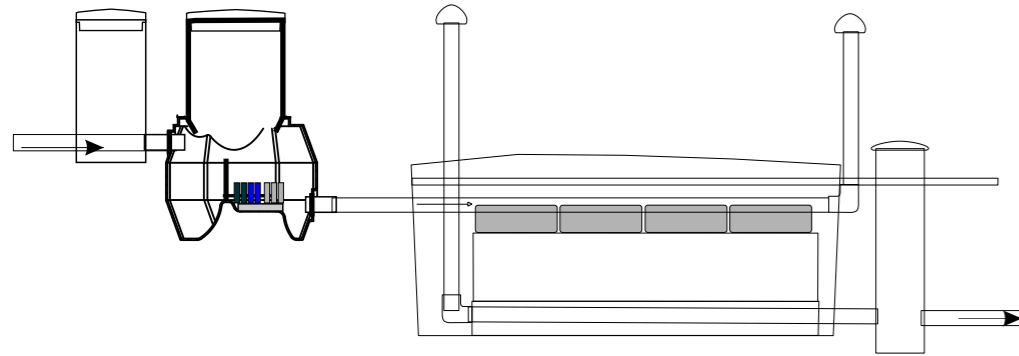
Modell	Kapasitet l/ 24 h	BM	Pakor
Bio-Box XL	600	+	+

Model, equipment level, auxiliary equipment:

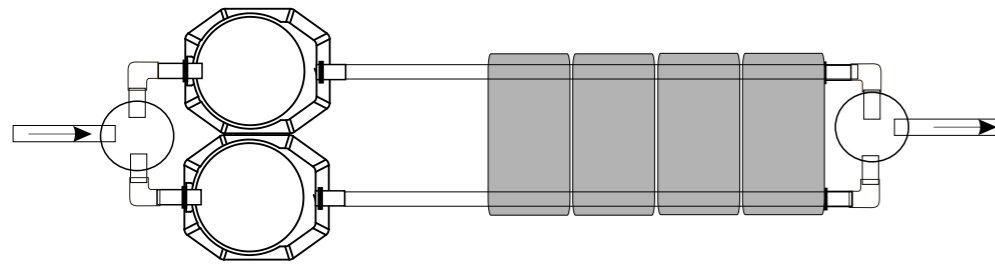
Model	Capacity l/ 24 h	BM	Pakor
Bio-Box XL	600	+	+




Imeytys, infiltration



Suodatus, markbädd, biomodul /sand filter



		Scale:
 raitabiobox.fi	BioBox XL	2018

JK 200 + BioBox XI x 2 + BM x 6

q-max 1200 l / 24 h - 300 l / h

Malli, varustetaso, lisävarusteet:

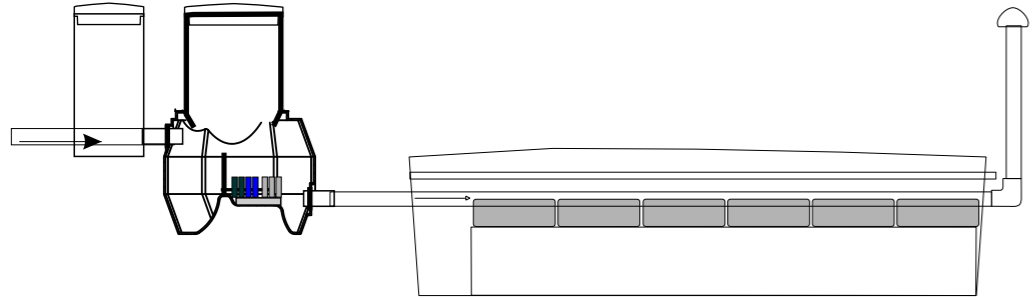
Malli	Kapasiteetti l / 24 h	BM	Pakor
Bio-Box XL	600	+	+

Modell, utrustningsnivå, tillägsutrustning::

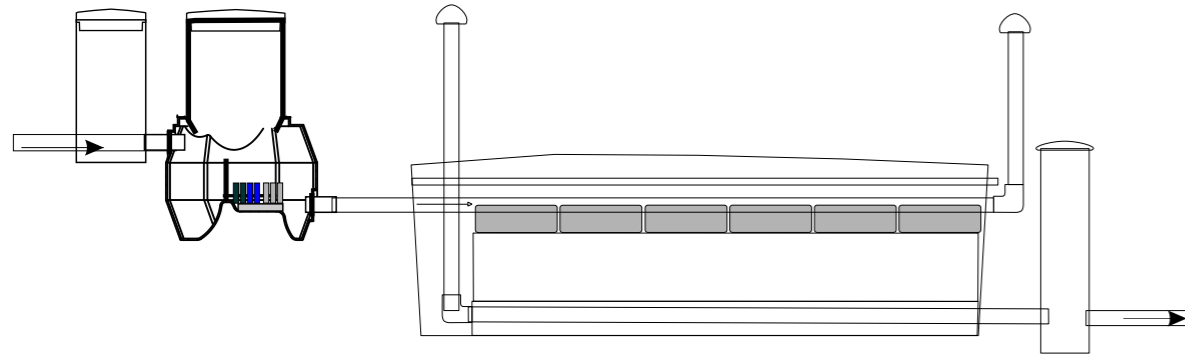
Modell	Kapasitet l / 24 h	BM	Pakor
Bio-Box XL	600	+	+

Model, equipment level, auxiliary equipment:

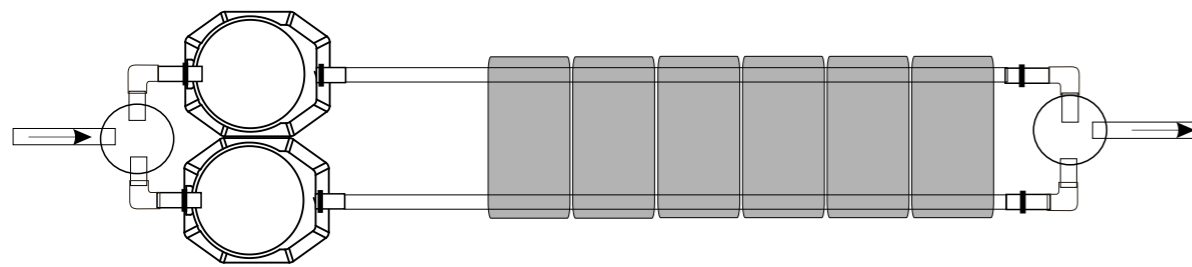
Model	Capacity l / 24 h	BM	Pakor
Bio-Box XL	600	+	+




Imeytys, infiltration



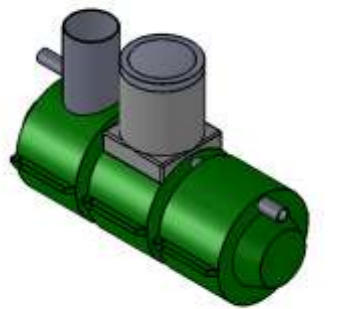
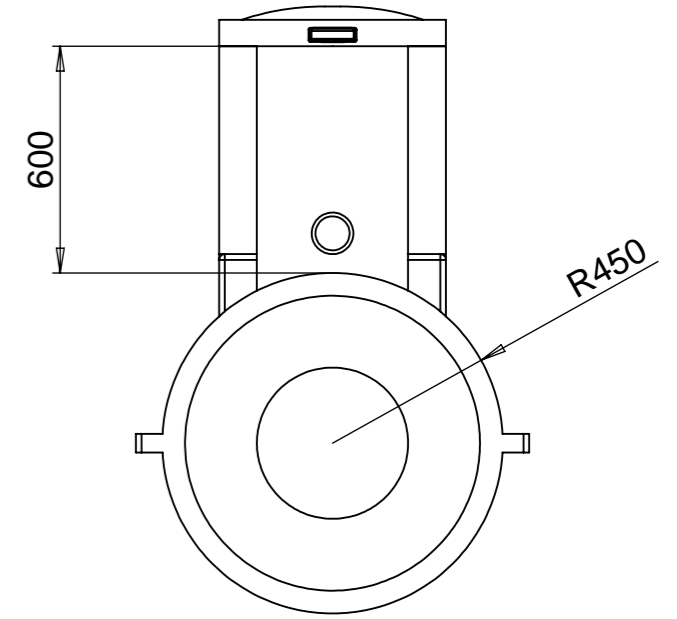
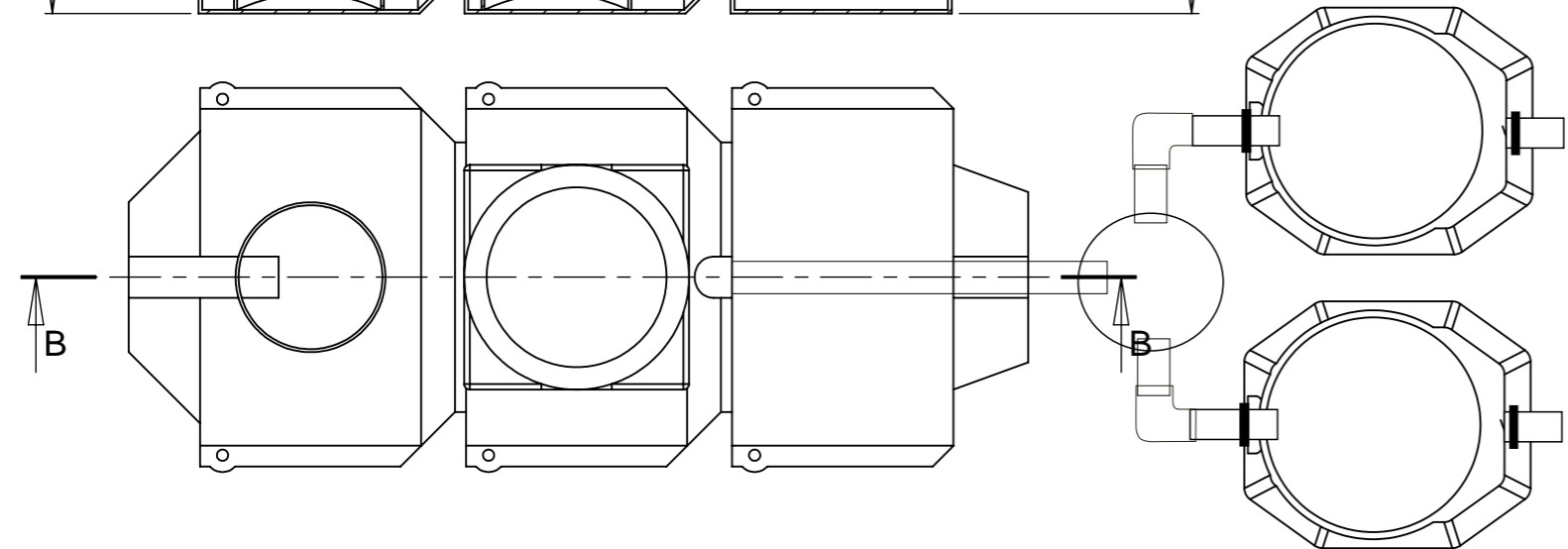
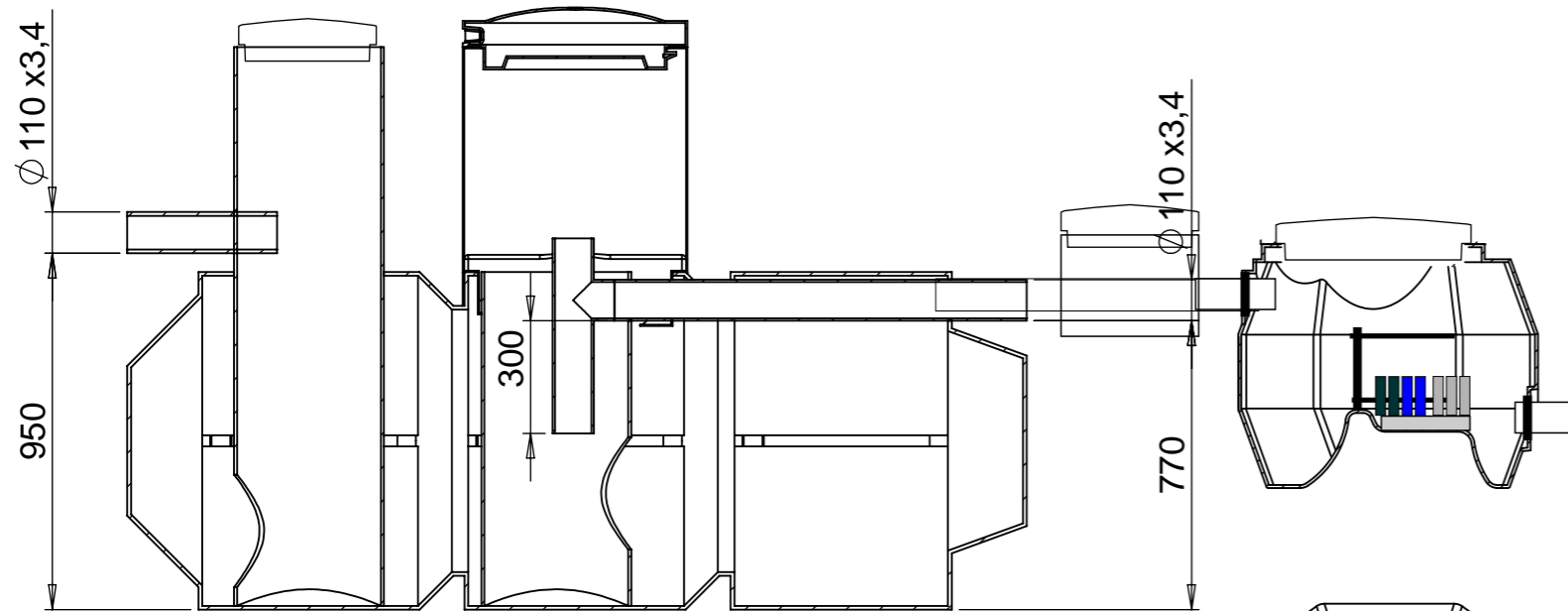
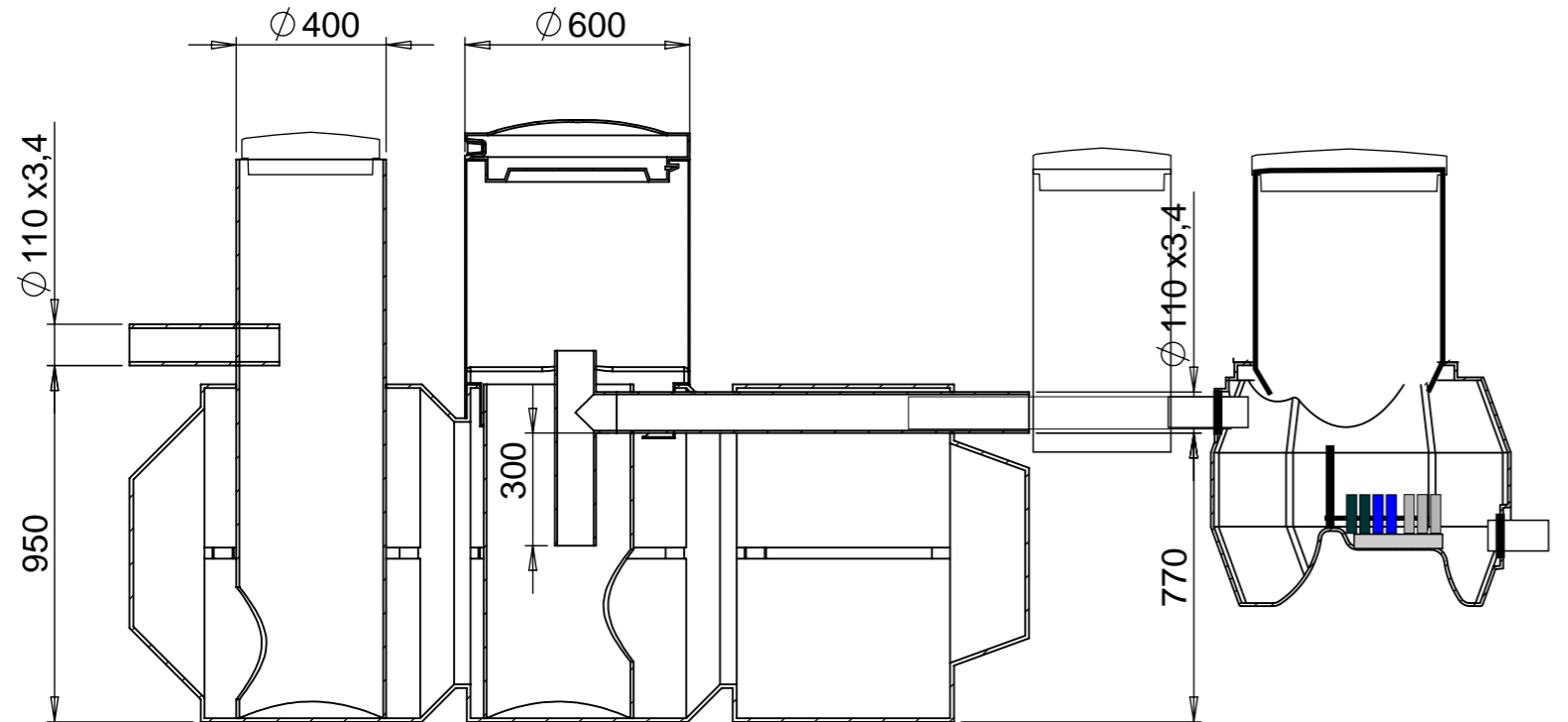
Suodatus, markbädd, biomodul /sand filter



		Scale:
 raitabiobox.fi	BioBox XL	2018

Sk1300 + Jk200 + 2x BioBox XL (+pakor)

q-max 1200 l / 24 h - 300 l / h8



Malli, varustetaso, lisävarusteet:


Malli	Kapasiteetti l / 24 h	SK1300	Pakor
Bio-Box XLx2	1200	+	+

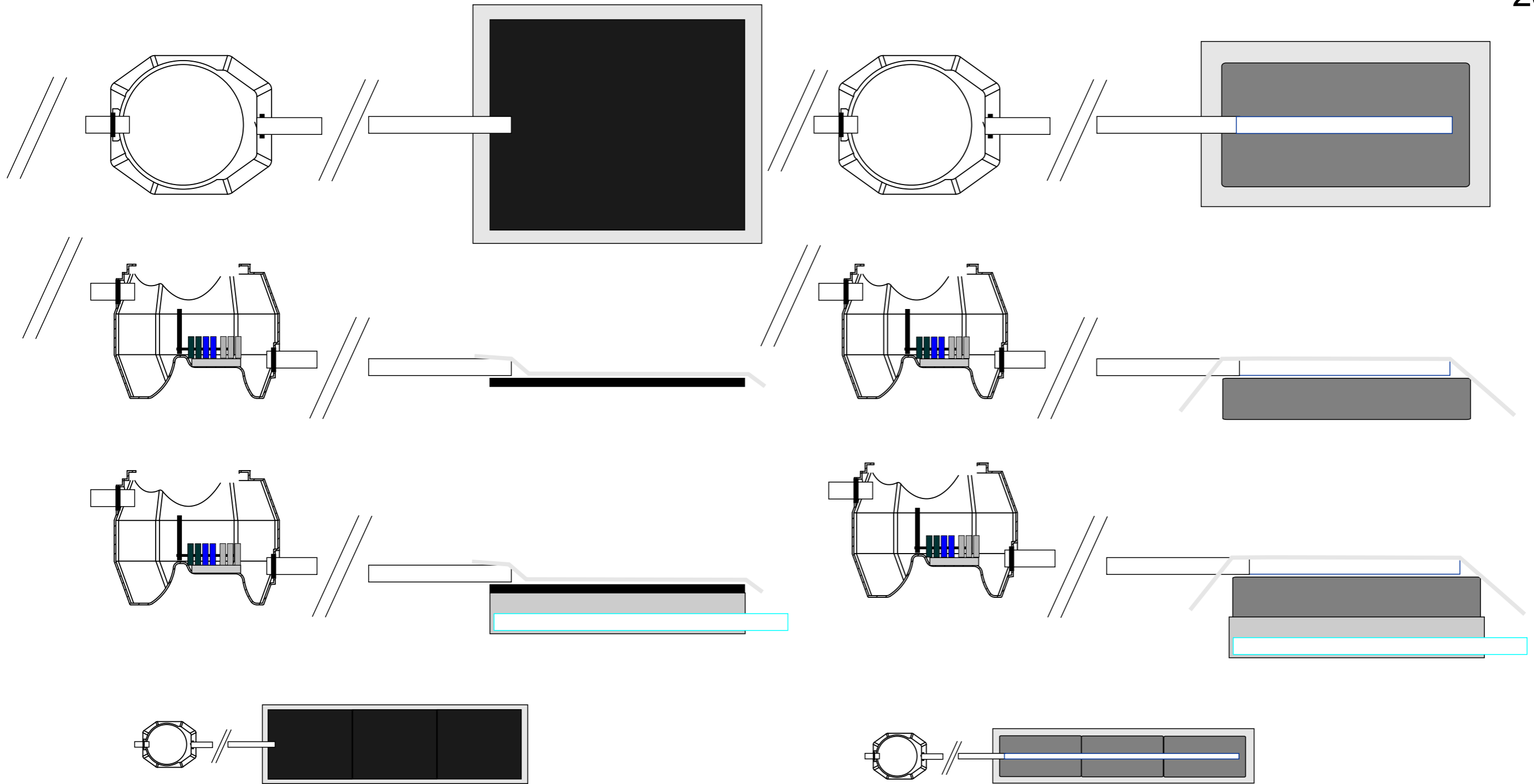
Modell, utrustningsnivå, tillägsutrustning::

Modell	Kapasitet l / 24 h	SK1300	Pakor
Bio-Box XLx2	1200	+	+

Model, equipment level, auxiliary equipment:

Model	Capacity l / 24 h	SK1300	Pakor
Bio-Box XLx2	1200	+	+

		Scale:
 raitabiobox.fi	BioBox XL	2018



Malli, varustetaso, lisävarusteet:


Malli	Kapasiteetti l/ 24 h	SK 420	SK600	SK1200 SAV	BM	Pakor
Bio-Box XL	600				+	

Modell, utrustningsnivå, tilläggsutrustning::

Modell	Kapasitet l/ 24 h	SK 420	SK600	SK1200 SAV	BM	Pakor
Bio-Box XL	600				+	

Model, equipment level, auxiliary equipment:

Model	Capacity l/ 24 h	SK 420	SK600	SK1200 SAV	BM	Pakor
Bio-Box XL	400				+	

		Scale:
 raitabiobox.fi	BioBox XL	
	2018	